



PC Compatible Embedded Microprocessor

- POWERFUL X86 PROCESSOR
- 64-BIT BUS ARCHITECTURE
- 64-BIT 66MHz DRAM CONTROLLER
- SVGA GRAPHICS CONTROLLER
- 135MHz RAMDAC
- UMA ARCHITECTURE
- TFT DISPLAY CONTROLLER
- PCI MASTER / SLAVE / ARBITER
- LOCAL BUS INTERFACE
- ISA (MASTER/SLAVE) INTERFACE
-INCLUDING THE IPC
- PC-CARD INTERFACE
 - PCMCIA
 - CARDBUS
- I/O FEATURES
 - PC/AT+ KEYBOARD CONTROLLER
 - PS/2 MOUSE CONTROLLER
 - 2 SERIAL PORTS
 - 1 PARALLEL PORT
- IPC
 - DMA CONTROLLER
 - INTERRUPT CONTROLLER
 - TIMER / COUNTERS
- POWER MANAGEMENT

STPC INDUSTRIAL OVERVIEW

The STPC Industrial integrates a fully static x86 processor, fully compatible with standard fifth generation x86 processors, and combines it with powerful chipset, graphics, TFT, PC-Card, Local Bus, keyboard, mouse, serials and parallel interfaces to provide a single Industrial oriented PC compatible subsystem on a single device. The performance of the device is comparable with the performance of a typical P5 generation system. The device is packaged in a 388 Plastic Ball Grid Array (PBGA).

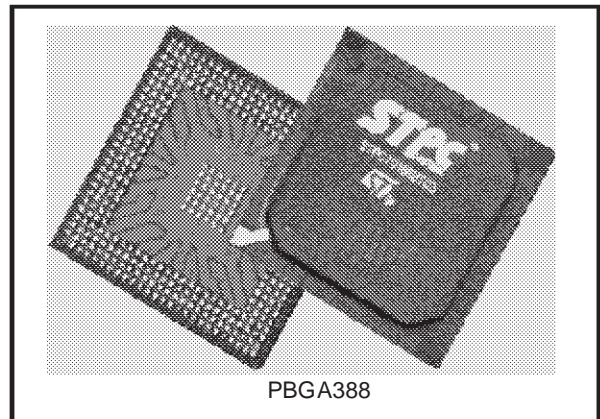
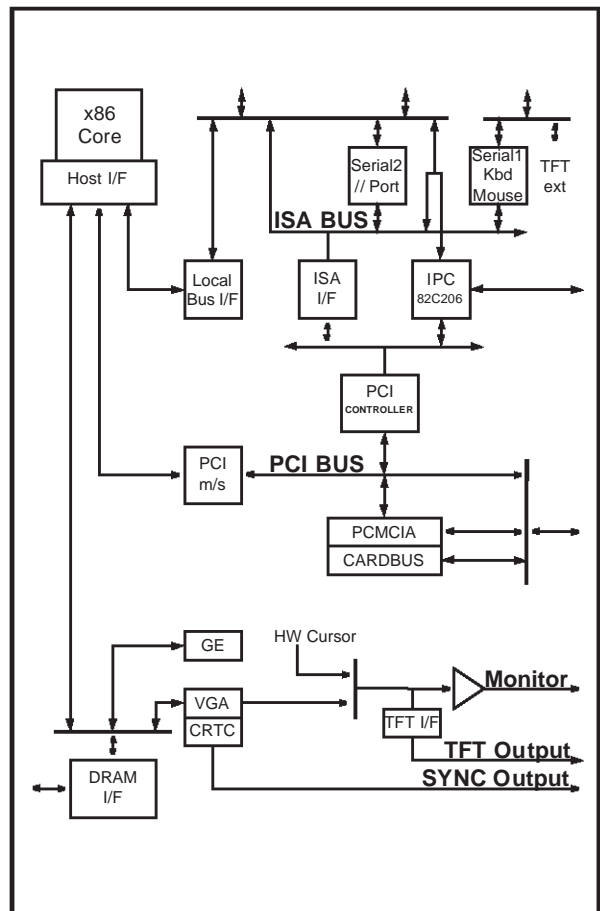


Figure 1. Logic Diagram



■ **X86 Processor core**

- Fully static 32-bit 5-stage pipeline, x86 processor fully PC compatible.
- Access up to 4GB of external memory.
- 8Kbyte unified instruction and data cache with write back capability.
- Parallel processing integral floating point unit, with automatic power down.
- Clock core speeds up to 100 MHz.
- Fully static design for dynamic clock control.
- Low power and system management modes.
- Optimized design for 3.3V operation.

■ **DRAM Controller**

- Integrated system memory and graphic frame memory.
- Supports up to 128-MByte system memory in 4 banks and down to as little as 2Mbytes.
- Supports 4-MByte, 8-MByte, 16-MByte, and 32-MByte single-sided and double-sided DRAM SIMMs.
- Four quad-word write buffers for CPU to DRAM and PCI to DRAM cycles.
- Four quad-word read prefetch buffers for PCI masters.
- Supports Fast Page Mode & EDO DRAMs.
- Programmable timing for DRAM parameters including CAS pulse width, CAS pre-charge time, and RAS to CAS delay.
- 60, 70, 80 & 100ns DRAM speeds.
- Memory hole between 1 MByte & 8 MByte supported for PCI/ISA busses.
- Hidden refresh.

■ **Graphics Controller**

- 64-bit windows accelerator.
- Complete backward compatibility to VGA and SVGA standards.
- Hardware acceleration for text (generalized bit map expansion), bitblts, transparent blts and fills.
- Up to 64 x 64 bit graphics hardware cursor.
- Up to 4MB long linear frame buffer.
- 8, 16, 24 and 32 bit pixels.
- Drivers for Windows and other operating systems.

■ **CRT Controller**

- Integrated 135MHz triple RAMDAC allowing for 1280 x 1024 x 75Hz display.
- Requires external frequency synthesizer and reference sources.
- 8, 16, 24 and 32-bit pixels.
- Interlaced or non-interlaced output.

■ **TFT Interface**

- Programmable panel size up to 1024 by 1024 pixels.
- Support for 640 x 480, 800 x 600 & 1024 x 768 active matrix TFT flat panels with 9, 12, 18-bit interface.
- Support 1 & 2 Pixels per Clock.
- Programmable image positioning.
- Programmable blank space insertion in text mode.
- Programmable horizontal and vertical image expansion in graphic mode.
- A fully programmable PWM (Pulse Width Modulator) signals to adjust the flat panel brightness and contrast.
- Supports **PanelLink™** high speed serial transmitter externally for high resolution panel interface.

■ **PCI Controller**

- Fully compliant with PCI Version 2.1 specification.
- Integrated PCI arbitration interface. Up to 3 masters can connect directly. External PAL allows for greater than 3 masters.
- Translation of PCI cycles to ISA bus.
- Translation of ISA master initiated cycle to PCI.
- Support for burst read/write from PCI master.
- 0.33X and 0.5X CPU clock PCI clock.

■ **Local Bus interface**

- 66MHz, low latency bus.
- Asynchronous / synchronous.
- 22-bit address and 16-bit data busses.
- 2 Programmable Flash EPROM Chip Select.
- 4 Programmable I/O Chip Select.
- Separate memory and I/O address spaces.
- Memory prefetch (improved performances).

- **ISA master/slave**
- Generation of the ISA clock from either 14.318MHz oscillator clock or system clock
- Programmable extra wait state for ISA cycles
- Supports I/O recovery time for back to back I/O cycles.
- Fast Gate A20 and Fast reset.
- Supports the single ROM that C, D, or E. blocks shares with F block BIOS ROM.
- Supports flash ROM.
- Supports ISA hidden refresh.
- Buffered DMA & ISA master cycles to reduce bandwidth utilization of the PCI and Host bus. NSP compliant.

- **PC-Card interface**
- Support one PCMCIA 2.0 / JEIDA 4.1 68-pin standard PC Card Socket.
- Power Management support.
- Support PCMCIA/ATA specifications.
- Support I/O PC Card with pulse-mode interrupts.
- Provides an ExCA™ implementation to PCMCIA 2.0 / JEIDA 4.1 standards.
- DMA support.

- **Keyboard interface**
- Fully PC/AT& compatible

- **Mouse interface**
- Fully PS/2 compatible

- **Serial interface**
- 15540 compatible
- Programmable word length, stop bits, parity.
- 16-bit programmable baud rate generator.
- Interrupt generator.
- Loop-back mode.
- 8-bit scratch register.
- Two 16-bit FIFOs.
- Two DMA handshake lines.

- **Parallel port**
- Standard Centronics mode supported.
- Nibble mode supported.

- **Integrated Peripheral Controller**
- Two 8237/AT compatible 7-channel DMA controllers.
- Two 8259/AT compatible interrupt Controller. 16 interrupt inputs - ISA and PCI.
- Three 8254 compatible Timer/Counters.
- Co-processor error support logic.

- **Power Management**
- Four power saving modes: On, Doze, Standby, Suspend.
- Programmable system activity detector
- Supports SMM.
- Supports IO trap & restart.
- Independent peripheral time-out timer to monitor hard disk, serial & parallel ports.
- Supports APM
- Supports RTC, interrupt and DMA wake ups

ExCA is a trademark of PCMCIA / JEIDA.

PanelLink is a trademark of SiliconImage, Inc

1 GENERAL DESCRIPTION

At the heart of the STPC Industrial is an advanced 64-bit processor block, dubbed the 5ST86. The 5ST86 includes a powerful x86 processor core along with a 64-bit DRAM controller, advanced 64-bit accelerated graphics and video controller, a high speed PCI local-bus controller and Industry standard PC chip set functions (Interrupt controller, DMA Controller, Interval timer and ISA bus).

The STPC Industrial has in addition to the 5ST86 a TFT output, a Local Bus interface, PC Card and super I/O features.

The STPC Industrial makes use of a tightly coupled Unified Memory Architecture (UMA), where the same memory array is used for CPU main memory and graphics frame-buffer. This means a reduction in total system memory for system performances that are equal to that of a comparable frame buffer and system memory based system, and generally much better, due to the higher memory bandwidth allowed by attaching the graphics engine directly to the 64-bit processor host interface running at the speed of the processor bus rather than the traditional PCI bus.

The 64-bit wide memory array provides the system with 320MB/s peak bandwidth, double that of an equivalent system using 32 bits. This allows for higher resolution screens and greater color depth. The processor bus runs at 66Mhz further increasing "standard" bandwidth by at least a factor of two.

The 'standard' PC chipset functions (DMA, interrupt controller, timers, power management logic) are integrated together with the x86 processor core; additional functions such as communication ports are accessed by the STPC Industrial via an internal ISA bus.

The PCI bus is the main data communication link to the STPC Industrial chip. The STPC Industrial translates appropriate host bus I/O and Memory cycles onto the PCI bus. It also supports the generation of Configuration cycles on the PCI bus. The STPC Industrial, as a PCI bus agent (host bridge class), fully complies with PCI specification 2.1. The chip-set also implements the PCI mandatory header registers in Type 0 PCI configuration space for easy porting of PCI aware system BIOS. The device contains a PCI arbitration function for three external PCI devices.

Graphics functions are controlled through the on-chip SVGA controller and the monitor display is produced through the 2D graphics display engine.

This Graphics Engine is tuned to work with the host CPU to provide a balanced graphics system with a low silicon area cost. It performs limited graphics drawing operations which include hardware acceleration of text, bitblts, transparent blts and fills. The results of these operations change the contents of the on-screen or off-screen frame buffer areas of DRAM memory. The frame buffer can occupy a space up to 4 Mbytes anywhere in the physical main memory.

The maximum graphics resolution supported is 1280x1024 in 65536 colours at 75Hz refresh rate and is VGA and SVGA compatible. Horizontal timing fields are VGA compatible while the vertical fields are extended by one bit to accommodate above display resolution.

To generate the TFT output, the STPC Industrial extracts the digital video stream before the RAMDAC and reformats it to the TFT format. The height and width of the flat panel are programmable through configuration registers up to a size of 1024 by 1024.

By default, lower resolution images cover only a part of the larger TFT panel. The STPC Industrial allows to expand the image vertically and horizontally in text mode by inserting programmable blank pixels. It allows expansion of the image vertically and horizontally in graphics mode by replicating pixels. The replication of J times every K pixel is independently programmable in the vertical and horizontal directions.

PanelLink™ is a proprietary interconnect protocol defined by Silicon Image, Inc. It consists of a transmitter that takes parallel video/graphics data from the host LCD graphics controller and transmits it serially at high speed to the receiver which controls the TFT panel. The TFT interface is designed to support the connection of this control signal to the **PanelLink™** transmitter.

The STPC Industrial CARDBUS / PCMCIA controller has been specifically designed to provide the interface with PC-Cards which contain additional memory or I/O and provides an **ExCA™** implementation to PCMCIA 2.0 / JEIDA 4.1 standards.

The power management control facilities include socket power control, insertion/removal capability, power saving with Windows inactivity, NCS controlled Chip Power Down, together with further controls for 3.3v suspend with Modem Ring Resume Detection.

The need for system configuration jumpers is eliminated by providing address mapping support for PCMCIA 2.0 / JEIDA 4.1 PC-Card memory together with address windowing support for I/O space.

Selectable interrupt steering from PC-Card to internal system bus is also provided.

The STPC Industrial implements a multi-function parallel port. The standard PC/AT compatible logical address assignments for LPT1, LPT2 and LPT3 are supported.

The parallel port can be configured for any of the following 3 modes and supports the IEEE Standard 1284 parallel interface protocol standards as follow:

- Compatibility Mode (Forward channel, standard)
- Nibble Mode (Reverse channel, PC compatible)
- Byte Mode (Reverse channel, PS/2 compatible)

The STPC Industrial BGA package has 388 balls, but this is not sufficient for all the integrated functions, therefore some features are sharing the same balls and can not be used at the same time. The STPC Industrial configuration is done by 'strap options'. It is a set of pull-up or pull-down resistors on the memory data bus, checked on reset, which auto-configure the STPC Industrial.

We can distinguish three main blocks **independently configurables**: The ISA / Local Bus block, the Serial 1 / TFT block, and the PCI / PC Card block.

From the first block, we can activate either the ISA bus and some IPC additional features, or the Local bus, the parallel port and the second serial interface.

From the second block, we can activate either the first serial port, or the TFT extension to get from 4 bit per colour to 6 bit per colour.

From the third block, we can activate either the PCI bus, or the PC Card interface (CardBus/PCMCIA/ZoomVideo).

The STPC Industrial core is compliant with the Advanced Power Management (APM) specification to provide a standard method by which the BIOS can control the power used by personal computers. The Power Management Unit module (PMU) controls the power consumption providing a comprehensive set of features that control the power usage and supports compliance with the United States Environmental Protection Agency's Energy Star Computer Program. The PMU provides following hardware structures to assist the software in managing the power consumption by the system.

- System Activity Detection.
- 3 power-down timers detecting system inactivity:
 - Doze timer (short durations).
 - Stand-by timer (medium durations).
 - Suspend timer (long durations).
- House-keeping activity detection.
- House-keeping timer to cope with short bursts of house-keeping activity while dozing or in stand-by state.
- Peripheral activity detection.
- Peripheral timer detecting peripheral inactivity
- SUSP# modulation to adjust the system performance in various power down states of the system including full power on state.
- Power control outputs to disable power from different planes of the board.

Lack of system activity for progressively longer periods of time is detected by the three power down timers. These timers can generate SMI interrupts to CPU so that the SMM software can put the system in decreasing states of power consumption. Alternatively, system activity in a power down state can generate SMI interrupt to allow the software to bring the system back up to full power on state. The chip-set supports up to three power down states described above, these correspond to decreasing levels of power savings.

Power down puts the STPC Industrial into suspend mode. The processor completes execution of the current instruction, any pending decoded instructions and associated bus cycles. During the suspend mode, internal clocks are stopped. Removing power down, the processor resumes instruction fetching and begins execution in the instruction stream at the point it had stopped. Because of the static nature of the core, no internal data is lost..

GENERAL DESCRIPTION

Figure 1.1. Functionnal description.

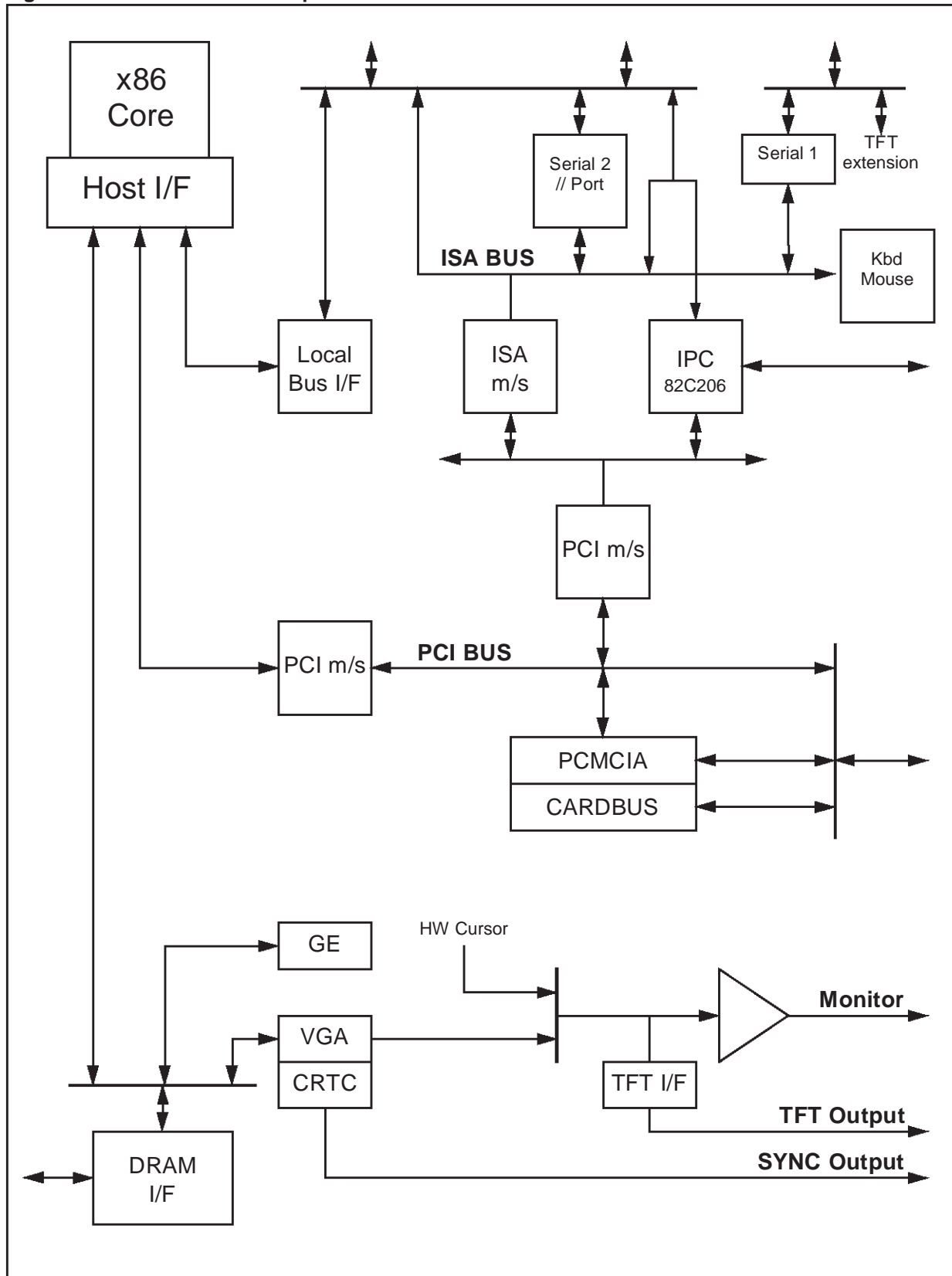
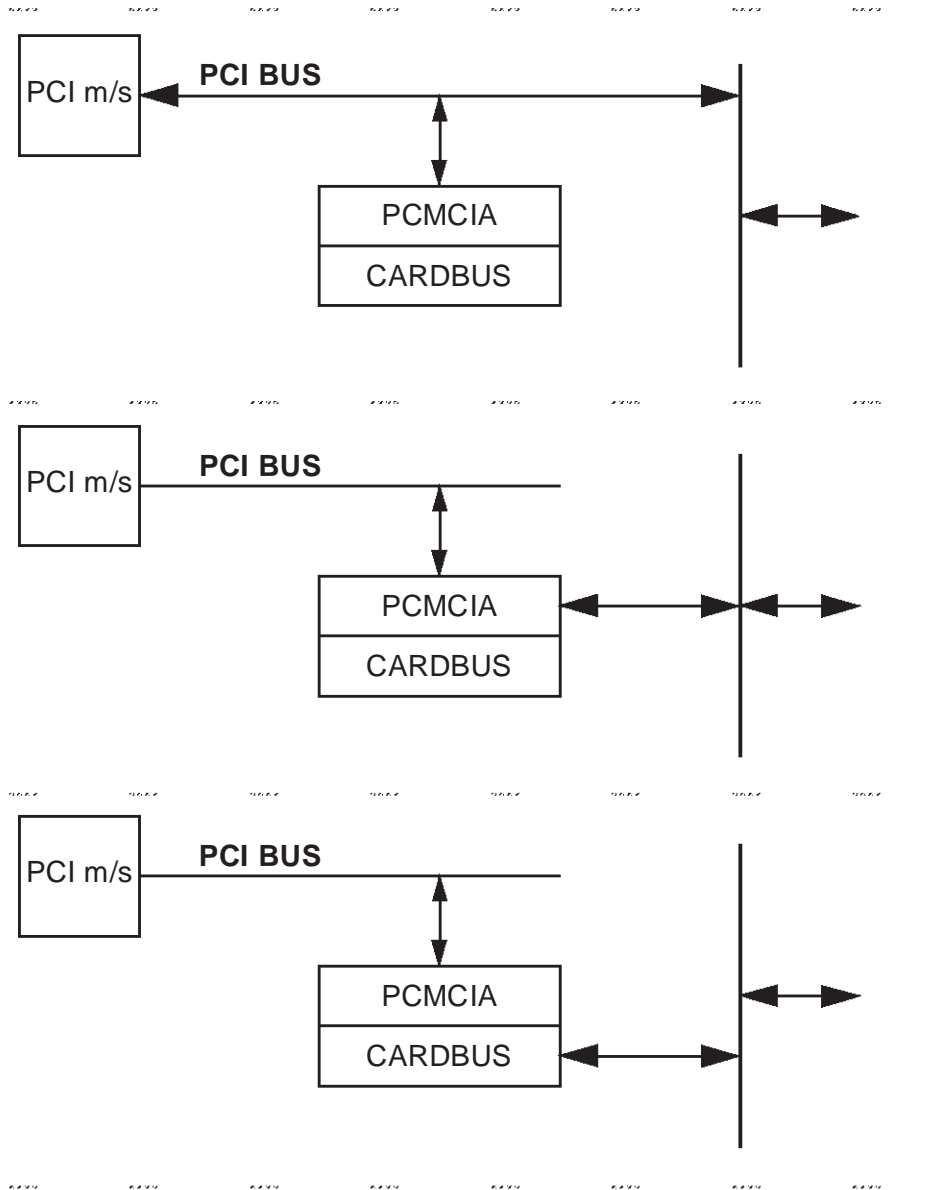


Figure 1.2. PCI, PCMCIA & CARDBUS modes:



GENERAL DESCRIPTION

Figure 1.3. Local Bus and ISA bus modes:

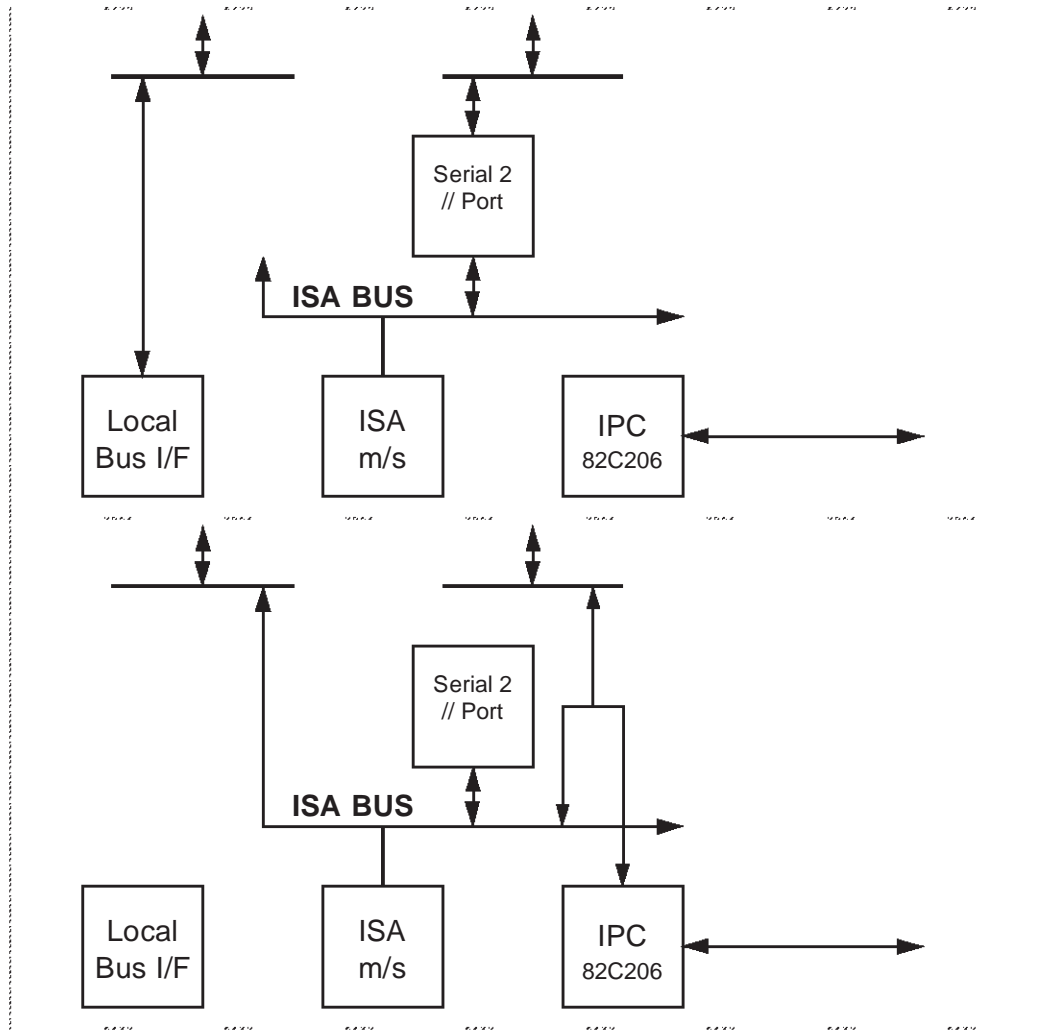


Figure 1.4. TFT in normal (serial 1 available) and extended modes (serial 1 unavailable).

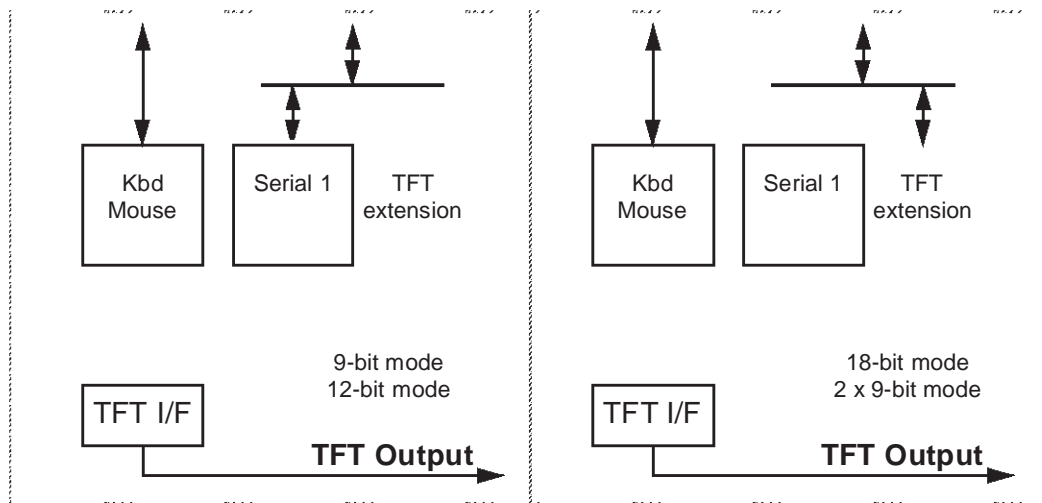
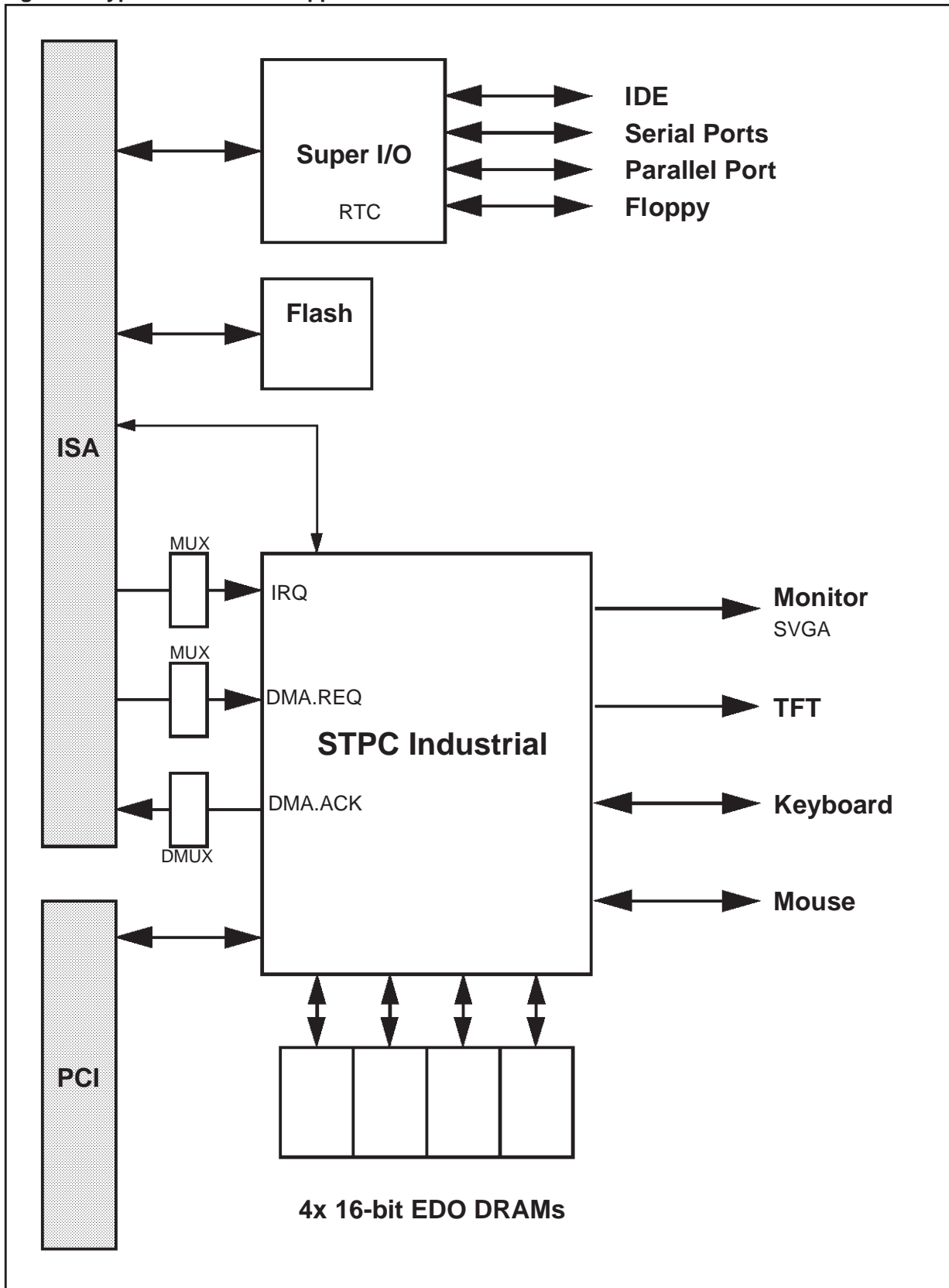
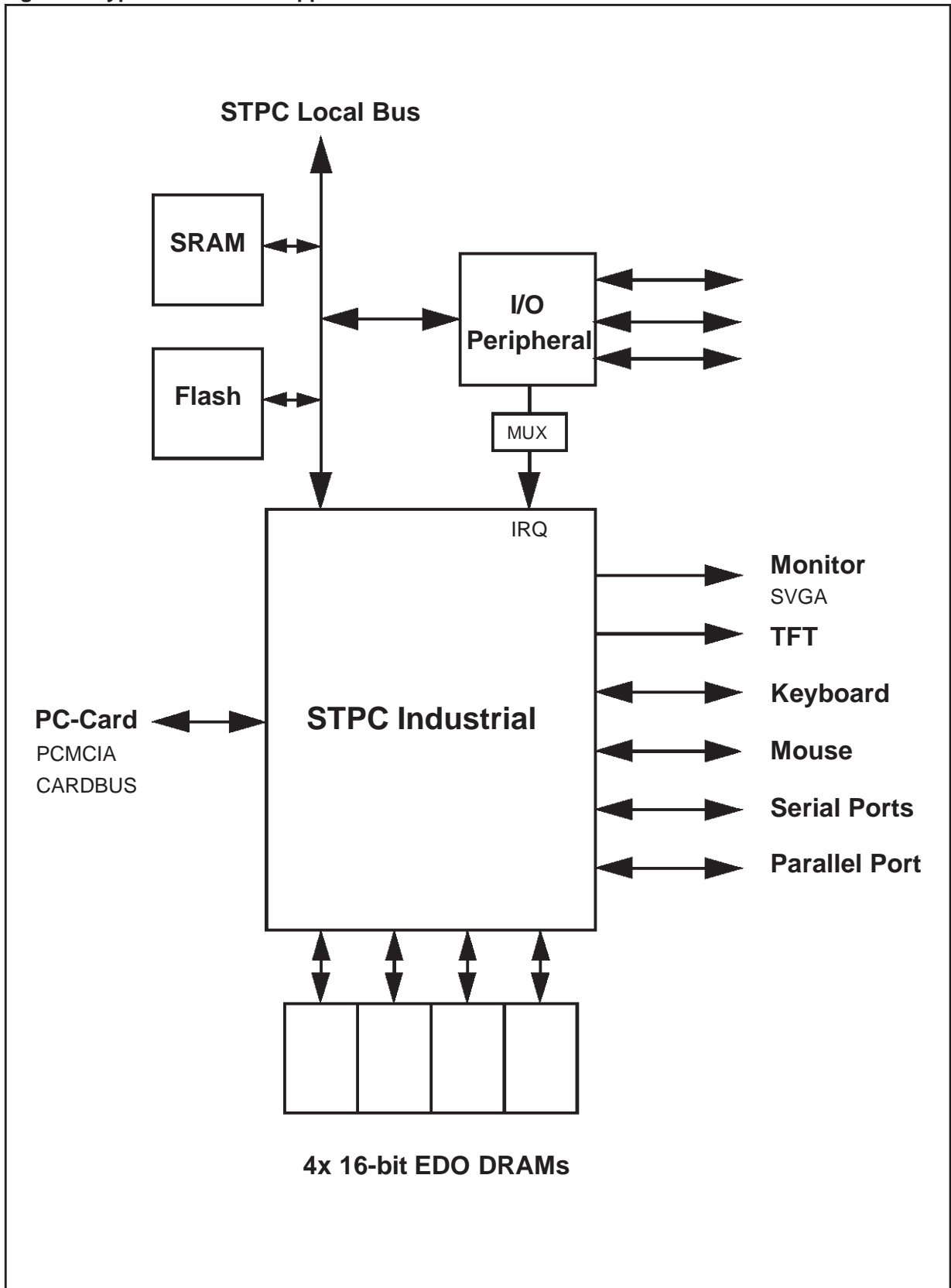


Figure 2. Typical PC oriented Application



GENERAL DESCRIPTION

Figure 3. Typical Embedded Application



2 STRAP OPTION

This chapter defines the STPC Industrial Strap Options and their location

Memory Data Lines	Refer to	Designation	Location	Actual Settings	Set to '0'	Set to '1'
MD0	-	Reserved	-	-	-	-
MD1	-	Reserved	-	-	-	-
MD2	DRAM Bank 1	Speed	Index 4A,bit 2	User defined	70 ns	60 ns
MD3		Speed	Index 4A,bit 3	Pull up		
MD4		Type	Index 4A,bit 4	User defined	EDO	FPM
MD5	DRAM Bank 0	Speed	Index 4A,bit 5	User defined	70 ns	60 ns
MD6		Speed	Index 4A,bit 6	Pull up		
MD7		Type	Index 4A,bit 7	User defined	EDO	FPM
MD8	-	Reserved	-	-	-	-
MD9	-	Reserved	-	-	-	-
MD10	DRAM Bank 3	Speed	Index 4B,bit 2	User defined	70 ns	60 ns
MD11		Speed	Index 4B,bit 3	Pull up		
MD12		Type	Index 4B,bit 4	User defined	EDO	FPM
MD13	DRAM Bank 2	Speed	Index 4B,bit 5	User defined	70 ns	60 ns
MD14		Speed	Index 4B,bit 6	Pull up		
MD15		Type	Index 4B,bit 7	User defined	EDO	FPM
MD16	-	Reserved	Index 4C,bit 0			
MD17	PCI Clock	PCI_CLKO Divisor	Index 4C,bit 1	User defined	HCLK / 3	HCLK / 2
MD18	Host Clock	HCLK Pad Direction	Index 4C,bit 2	User defined	External	Internal
MD19	Graphics Clock	GCLK2x Pad Direction	Index 4C,bit 3	User defined	External	Internal
MD20	DOT Clock	DCLK Pad Direction	Index 4C,bit 4	User defined	External	Internal
MD21	-	Reserved		Pull up		
MD22	-	External IPC Debug Option	Index 5F,bit 1	Pull up	External IPC	Internal IPC
MD23	-	Reserved	Index 5F,bit 2	Pull up	-	-
MD24	HCLK	HCLK PLL Speed	Index 5F,bit 3	User defined	000	25 MHz
MD25			Index 5F,bit 4	User defined	001	33 MHz
MD26			Index 5F,bit 5	User defined	010	40 MHz
					011	50 MHz
					100	60 MHz
					101	66 MHz
					110	75 MHz
					111	80 MHz
MD27	-	Reserved		Pull down		
MD28	-	Reserved		Pull down		
MD29	-	Reserved		Pull down		
MD30	-	Reserved		Pull down		
MD31	-	Reserved		Pull down		
MD32	-	Reserved		Pull down		
MD33	-	Reserved		Pull up		
MD34	-	Reserved		Pull down		
MD35	-	Reserved		Pull up		
MD 36	-	Reserved		Pull up		
MD 37	-	Reserved		Pull up		
MD 38	-	Reserved		Pull up		

STRAP OPTION

Memory Data Lines	Refer to	Designation	Location	Actual Settings	Set to '0'	Set to '1'
MD 39		Reserved		Pull up		
MD 40		PCMCIA or PCI i/f	3C,bit 0	User defined	PCI	PCMCIA
MD 41		Local Bus or ISA i/f	3C,bit 1	User defined	ISA	Local Bus
MD 42		Key Board & Mouse	3C,bit 2	User defined	External	Internal
MD 43		Parallel Port	3C,bit 3	User defined	External	Internal
MD 44	Serial Port	UART1	3C,bit 4	User defined	External	Internal
MD 45		UART2	3C,bit 5	User defined	External	Internal
MD 46		Reserved	3C,bit 6	Pull down		
MD 47		Reserved	3C,bit 7	Pull down		
MD 48	TFT	Outputs on RFU pads	3D,bit 0	User defined	Disable	Enable
MD 49	Cardbus Socket	5V Availability	3D,bit 1	User defined	Not Available	Available
MD 50		3.3V Availability	3D,bit 2	User defined	Not Available	Available
MD 51		x.xV Available	3D,bit 3	User defined	Not Available	Available
MD 52		y.yV Available	3D,bit 4	User defined	Not Available	Available
MD 53		Reserved		Pull up		
MD 56		Reserved		Pull up		
MD 57		Reserved		Pull down		
MD 58		Reserved		Pull up		
MD 59		Reserved		Pull down		

2.1 STRAP OPTION REGISTER DESCRIPTION

2.1.1 STRAP REGISTER 0 INDEX 4AH (STRAP0)

Bits 7-0, This register reflect the status of pins MD[7:0] respectively. They are expected to be connected on the system board to the SIMM configuration pins as follows:

Bit Sampled	Description
Bit 7	SIMM 0 DRAM type
Bits 6-5	SIMM 0 speed
Bit 4	SIMM 1 DRAM type
Bits 3-2	SIMM 1 speed
Bits 1-0	Reserved

Note that the SIMM speed and type information read here is meant only for the software and is not used by the hardware. The software must program the Host and graphics DRAM controller configuration registers appropriately based on these bits.

This register defaults to the values sampled on MD[7:0] pins after reset.

2.1.2 STRAP REGISTER 1 INDEX 4BH (STRAP1)

Bits 7-0, This register reflect the status of pins MD[15:8] respectively. They are expected to be connected on the system board to the SIMM configuration pins as follows:

Bit Sampled	Description
Bit 7	SIMM 2 DRAM type
Bits 6-5	SIMM 2 speed
Bit 4	SIMM 3 DRAM type:
Bits 3-2	SIMM 3 speed
Bit 1-0	Reserved

Note that the SIMM speed and type information read here is meant only for the software and is not used by the hardware. The software must program the Host and graphics dram controller configuration registers appropriately based on these bits.

This register defaults to the values sampled on MD[15:8] pins after reset.

2.1.3 STRAP REGISTER 2 INDEX 4CH (STRAP2)

Bits 4-0 of this register reflect the status of pins MD[20:16] respectively. Bit 5 of this register reflect the status of pin MD[23]. Bit 4 is writeable, writes to other bits in this register have no effect.

They are use by the chip as follows:

Bits 7-5, Reserved

Bit 4, This bit reflects the **value sampled on MD[20] pin** and controls the Dot clock (DCLK) source. Note this bit is writeable as well as readable.

Bit 3, This bit reflects the **value sampled on MD[19] pin** and controls the Graphics clock source.

Bit 2, This bit reflects the **value sampled on MD[18] pin** and controls the Host/CPU clock source as follows: setting to '0': External. HCLK pin is an input, setting to '1': Internal. HCLK pin is an output and is connected to the internal frequency synthesizer output.

Bit 1, This bit reflects the **value sampled on MD[17] pin** and controls the PCI clock output as follows:

Setting to '0', the PCI clock output = HCLK / 3

Setting to '1', the PCI clock output = HCLK / 2

Bit 0, Reserved.

This register defaults to the values sampled on MD[23] & MD[20:16] pins after reset.

STRAP OPTION

2.1.4 STRAP REGISTER 3 INDEX 3CH (STRAP3)

Bits 7-0 of this register reflect the status of pins MD[47:40] respectively.

They are use by the chip as follows:

Bit 7-6, Reserved.

Bit 5, UART2 internal or external. This bit reflects the **value sampled on MD[45] pin** and controls the UART2 I/F as follows:

Setting to '0', UART2 is external.

Setting to '1', UART2 is internal.

Bit 4, UART1 internal or external and additional TFT outputs. This bit reflects the **value sampled on MD[44] pin** and controls the UART1 I/F and the additional TFT I/F as follows:

Setting to '0', UART1 is external and an additional 6 TFT outputs (lowest bits - 2 red, 2 green and 2 blue) are enabled.

Setting to '1', UART1 is internal.

Note that when strap option testbus enabled (see Section 2.1.3 Strap Register 2 bit 0) is driven to 1 it takes priority over this strap which becomes meaningless.

Bit 3, Parallel Port internal or external. This bit reflects the **value sampled on MD[43] pin** and controls the Parallel Port i/f as follows:

Setting to '0', the Parallel Port is external

Setting to '1', the Parallel Port is internal

Bit 2, KB/Mouse internal or external. This bit reflects the **value sampled on MD[42] pin** and controls the KB/Mouse controller i/f as follows:

Setting to '0', the KB/Mouse controller is external

Setting to '1', the KB/Mouse controller is internal

Bit 1, Local Bus i/f or ISA I/F. This bit reflects the **value sampled on MD[41] pin** and sets whether the Local Bus i/f or the ISA i/f is available at the device i/f as follows:

Setting to '0', selectes the ISA I/F

Setting to '1', selectec the Local Bus I/F

Bit 0 PCMCIA I/F or PCI I/F. This bit reflects the **value sampled on MD[40] pin** and sets whether the PCMCIA i/f or the PCI i/f is available at the device i/f as follows:

Setting to '0', selects the PCI I/F

Setting to '1', selects the PCMCIA I/F

This register defaults to the values sampled on MD[47:40] pins after reset.

2.1.5 STRAP REGISTER 4 INDEX 3Dh (STRAP4)

Bits 5-0 of this register reflect the status of pins MD[53:48] respectively.

They are use by the chip as follows:

Bits 7-5 Reserved.

Bit 4, y.y V present on board. This bit reflects the **value sampled on MD[52] pin** and is used to notify the Cardbus socket management unit if the y.y V vcc voltage (where y.y is less than x.x) is present on board as follows

Setting to '0', y.y V Vcc voltage is not available

Setting to '1': y.y V Vcc voltage is available.

Bit 3, x.x V present on board. This bit reflects the **value sampled on MD[51] pin** and is used to notify the Cardbus socket management unit if the x.x V vcc voltage (where x.x is less than 3.3) is present on board as follows:

Setting to '0', x.x V Vcc voltage is not available.

Setting to '1': x.x V Vcc voltage is available.

Bit 2, 3.3 V present on board. This bit reflects the **value sampled on MD[50] pin** and is used to notify the Cardbus socket management unit if the 3.3 V vcc voltage is present on board as follows:

Setting to '0', 3.3 V vcc voltage is not available.

Setting to '1', 3.3 V vcc voltage is available.

Bit 1, 5 V present on board. This bit reflects the **value sampled on MD[49] pin** and is used to notify the Cardbus socket management unit if the 5 V vcc voltage is present on board as follows:

Setting to '0', 5 V vcc voltage is not available.

Setting to '1', 5 V vcc voltage is available.

Bit 0, This bit reflects the **value sampled on MD[48] pin** and is used to enable the TFT controller outputs on pads RFU0-RFU11 as follows:

RFU0 : R[2]

RFU1 : R[3]

RFU2 : R[4]

RFU3 : R[5]

RFU4 : G[2]

RFU5 : G[3]

RFU6 : G[4]

RFU7 : G[5]

RFU8 : B[2]

RFU9 : B[3]

RFU10 : B[4]

RFU11 : B[5]

This register defaults to the values sampled on MD[53:48] pins after reset.

STRAP OPTION

2.1.6 HCLK PLL STRAP REGISTER 0 INDEX 5FH (HCLK_STRAP0)

Bits 5-0 of this register reflect the status of pins MD[26:21] respectively.

They are use by the chip as follows:

Bits 7-6, Reserved.

Bits 5-3, These pins reflect the **value sampled on MD[26:24] pins** respectively and control the Host clock frequency synthesizer.

Bit 2-1, Reserved.

Bit 0, Reserved.

This register defaults to the values sampled on above pins after reset.

3 PIN DESCRIPTION

3.1. INTRODUCTION

The STPC Industrial integrates most of the functionalities of the PC architecture. Therefore, many of the traditional interconnections between the host PC microprocessor and the peripheral devices are totally internal to the STPC Industrial. This offers improved performance due to the tight coupling of the processor core and its peripherals. As a result many of the external pin connections are made directly to the on-chip peripheral functions.

Figure 3-1 shows the STPC Industrial's external interfaces. It defines the main busses and their function. Table 3-1 describes the physical implementation listing signal types and their functionalities. Table 3-2 provides a full pin listing and description.

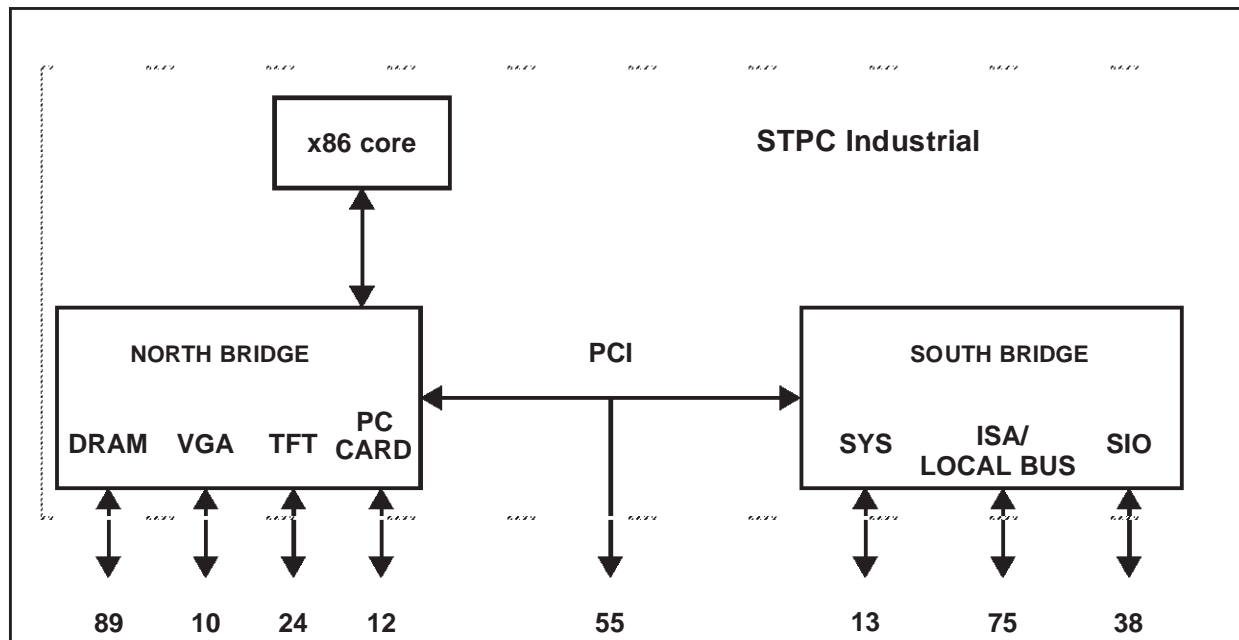
Table 3-4 provides a full listing of the STPC Industrial package pin location physical connection. Please refer to the pin allocation drawing for reference.

Due to the number of pins available for the package, and the number of functional I/Os, some pins have several functions, selectable by strap option on Reset. Table 3-3 provides a summary of these pins and their functions.

Table 3-1. Signal Description

Group name	Qty	
Basic Clocks, Reset & Xtal (SYS)	13	
DRAM Controller(DRAM)	89	
PCI Controller	55	64
PC Card Interface	64	
Keyboard/Mouse Controller (SIO)	4	
Local Bus I/F, Parallel I/F, Serial 2	75	75
ISA Interface/IPC extensions	73	
Serial 1 (SIO)	8	26
TFT output	24	
VGA Controller (VGA)	10	
Grounds	74	
V _{DD}	16	
Analog specific V _{CC} /V _{DD}	16	
Reserved	1	
Total Pin Count	388	

Figure 3-1. STPC Industrial External Interfaces



PIN DESCRIPTION

Table 3-2. Definition of Signal Pins

Signal Name	Dir	Description	Qty
BASIC CLOCKS AND RESETS			
SYSRSTI#*	I	System Reset / Power good	1
SYSRSTO#*	O	Reset Output to System	1
XTALI	I	14.3MHz Crystal Input	1
XTALO	O	14.3MHz Crystal Output	1
PCI_CLKI*	I	33MHz PCI/CardBus Input Clock	1
PCI_CLKO	O	33MHz PCI/CardBus Output Clock	1
ISA_CLK, ISA_CLK2X	O	ISA Clock x1 and x2 (also Multiplexer Select Line For IPC)	2
CLK14M	O	ISA bus synchronisation clock	1
HCLK*	I/O	33 / 66MHz Host Clock (Test)	1
DEV_CLK*	O	24MHz Peripheral Clock	1
GCLK2X	I/O	80MHz Graphics Clock	1
DCLK	I/O	135MHz Dot Clock	1
V _{DD} _xxx_PLL		Power Supply for PLL Clocks	
MEMORY INTERFACE			
MA[11:0]	I/O	Memory Address	12
RAS#[3:0]	O	Row Address Strobe	4
CAS#[7:0]	O	Column Address Strobe	8
MWE#	O	Write Enable	1
MD[63:0]	I/O	Memory Data	64
LOCAL BUS INTERFACE (COMBINED WITH ISA BUS)			
PA[21:0]*	O	Address Bus [21:0]	22
PD[15:0]*	I/O	Data Bus [15:0]	16
PRDY#*	I	Ready	1
PWR#[1:0]*	O	Memory and I/O Write signals	2
PRD#[1:0]*	O	Memory and I/O Read signals	2
FCS#[1:0]*, IOCS#[3:0]*	O	Flash Memory and I/O Chip Select	6
ISA BUS INTERFACE (COMBINED WITH LOCAL BUS, PARALLEL PORT, SERIAL INTERFACE)			
LA[23:17]*	O	Unlatched Address	7
SA[19:0]*	O	Latched Address	20
SD[15:0]*	I/O	Data Bus	16
IOCHRDY*	I	I/O Channel Ready	1
ALE*	O	Address Latch Enable	1
BHE#*	O	System Bus High Enable	1
MEMR#*, MEMW#*	I/O	Memory Read & Write	2
SMEMR#*, SMEMW#*	O	System Memory Read and Write	2
IOR#*, IOW#*	I/O	I/O Read and Write	2
MASTER#*	I	Add On Card Owns Bus	1
MCS16#*, IOCS16#*	I	Memory Chip Select 16, I/O Chip Select 16	2
REF#*	I	Refresh Cycle	1
AEN*	O	Address Enable	1
IOCHCK#*	I	I/O Channel Check (ISA)	1
RTCRW#*	O	RTC Read / Write#	1
RTCD#*	O	RTC Data Strobe	1
RTCAS#*	O	RTC Address Strobe	1

Table 3-2. Definition of Signal Pins

Signal Name	Dir	Description	Qty
RMRTCCS#*	O	ROM / RTC Chip Select	1
GPIOCS#*	I/O	General Purpose Chip Select	1
IRQ_MUX[3:0]*	I	Multiplexed Interrupt Request	4
DACK_ENC[2:0]*	O	DMA Acknowledge	3
DREQ_MUX[1:0]*	I	Multiplexed DMA Request	2
TC*	O	ISA Terminal Count	1
KEYBOARD & MOUSE INTERFACE			
KBDATA*, MDATA*	I	Keyboard & Mouse Data Line	2
KBCLK*, MCLK*	O	Keyboard & Mouse Clock Line	2
SERIAL INTERFACE (SERIAL 1 COMBINED WITH TFT INTERFACE / SERIAL 2 COMBINED WITH IPC)			
SIN1*, SIN2*	I	Serial Data In (Serial 1, 2)	2
SOUT1*, SOUT2*	O	Serial Data Out (Serial 1, 2)	2
CTS1#*, CTS2#*	I	Clear To Send (Serial 1, 2)	2
RTS1#*, RTS2#*	O	Request To Send (Serial 1, 2)	2
DSR1#*, DSR2#*	I	Data Set Ready (Serial 1, 2)	2
DTR1#*, DTR2#*	O	Data Terminal Ready (Serial 1,2)	2
DCD1#*, DCD2#*	I	Data Carrier Detect (Serial 1, 2)	2
RI1#*, RI2#*	I	Ring Indicator (Serial 1, 2)	2
PARALLEL PORT (COMBINED WITH ISA BUS AND IPC)			
PE*	I	Paper End	1
SLCT*	I	SELECT	1
BUSY#*	I	BUSY	1
ERR#*	I	ERROR	1
ACK#*	I	Acknowledge	1
PDDIR#*	O	Parallel Device Direction	1
STROBE#*	O	PCS / STROBE#	1
INIT#*	O	INIT	1
AUTPFDX#*	O	Automatic Line Feed	1
SLCTIN#*	O	SELECT IN	1
PPD[7:0]*	I/O	Data Bus	8
PCMCIA INTERFACE (COMBINED WITH PCI / CARDBUS)			
RESET*	O	Reset	1
A[25:0]*	O	Address Bus	26
D[15:0]*	I/O	Data Bus	16
IORD#*, IOWR#*	O	I/O Read and Write	2
DREQ#* / WP* / IOIS16#*	I	DMA Request // Write Protect // I/O Size is 16 bit	1
BVD1*, BVD2*	I	Battery Voltage Detect	2
READY#*/BUSY#*/IREQ#*	I	Ready / Busy // Interrupt Request	1
WAIT#*	I	Wait	1
INPACK#*	I	Input Port Acknowledge	1
OE#* / TCw*	O	Output Enable // DMA Terminal Count	1
WE#* / TCr*	O	Write Enable // DMA Terminal Count	1
DACK* / REG#*	O	DMA Acknowledge // Register	1
CD1#*, CD2#*	I	Card Detect	2

PIN DESCRIPTION

Table 3-2. Definition of Signal Pins

Signal Name	Dir	Description	Qty
CE1#*, CE2#*	O	Card Enable	2
VS1#*, VS2#*	I	Voltage Sense	2
VCC5_EN*	O	Power Switch control : 5v power	1
VCC3_EN*	O	Power Switch control : 3.3v power	1
VPP_PGM*	O	Power Switch control : Program power	1
VPP_VCC*	O	Power Switch control : VCC power	1
CARDBUS INTERFACE (COMBINED WITH PCI / PCMCIA)			
CCLKRUN*	I/O	Clock	1
CRST#*	O	Reset	1
CSTSCHG#*	I	System Change	1
CAD[31:0]*	I/O	Address / Data	32
CBE[3:0]*	I/O	Bus Commands / Byte Enables	4
CFRAME#*	I/O	Cycle Frame	1
CTRDY#*	I/O	Target Ready	1
CIRDY#*	I/O	Initiator Ready	1
CSTOP#*	I/O	Stop Transaction	1
CDEVSEL#*	I/O	Device Select	1
CPAR*	I/O	Parity Signal Transactions	1
CSERR#*	I	System Error	1
CPERR#*	I/O	Parity Error	1
CBLOCK#*	I/O	PCI Lock	1
CCD[2:1]*	I	Card Detect	2
CINT#*	I	Interrupt Request	1
CREQ#*	I	Request	1
CGNT#*	O	Grant	1
PCI INTERFACE (COMBINED WITH PCMCIA / CARDBUS)			
AD[31:0]*	I/O	Address / Data	32
BE[3:0]*	I/O	Bus Commands / Byte Enables	4
FRAME#*	I/O	Cycle Frame	1
TRDY#*	I/O	Target Ready	1
IRDY#*	I/O	Initiator Ready	1
STOP#*	I/O	Stop Transaction	1
DEVSEL#*	I/O	Device Select	1
PAR*	I/O	Parity Signal Transactions	1
SERR#*	O	System Error	1
LOCK#*	I	PCI Lock	1
PCI_REQ#[2:0]*	I	PCI Request	3
PCI_GNT#[2:0]*	O	PCI Grant	3
PCI_INT[3:0]*	I	PCI Interrupt Request	4

Table 3-2. Definition of Signal Pins

Signal Name	Dir	Description	Qty
MONITOR INTERFACE			
RED, GREEN, BLUE	O	Red, Green, Blue	3
VSYNC*	I/O	Vertical Sync	1
HSYNC*	I/O	Horizontal Sync	1
VREF_DAC	I	DAC Voltage reference	1
RSET	I	Resistor Set	1
COMP	I	Compensation	1
DDC[1:0]*	I/O	Display Data Channel Serial Link	2
SCL / DDC[1]*	I/O	I C Interface - Clock / Can be used for VGA DDC[1] signal	1
SDA / DDC[0]*	I/O	I C Interface - Data / Can be used for VGA DDC[0] signal	1
TFT INTERFACE (COMBINED WITH SERIAL 1)			
R[5:0], G[5:0], B[5:0]	O	Red, Green, Blue	18
FPLINE	O	Horizontal Sync	1
FPFRAME	O	Vertical Sync	1
DE	O	Data Enable	1
ENAVDD	O	Enable Vdd of flat panel	1
ENVCC	O	Enable Vcc of flat panel	1
PWM	O	PWM back-light control	1
MISCELLANEOUS			
SPKRD*	O	Speaker Device Output	1
SCAN_ENABLE	I	Test Pin - Reserved	1

Note; *denotes that the pin is V_{5T} (see Section 4)

PIN DESCRIPTION

3.2. SIGNAL DESCRIPTIONS

3.2.2 BASIC CLOCKS AND RESETS

SYSRSTI# *System Reset/Power good.* This input is low when the reset switch is depressed. Otherwise, it reflects the power supply's power good signal. PWGD is asynchronous to all clocks, and acts as a negative active reset. The reset circuit initiates a hard reset on the rising edge of PWGD.

SYSRSTO# *Reset Output to System.* This is the system reset signal and is used to reset the rest of the components (not on Host bus) in the system. The ISA bus reset is an externally inverted buffered version of this output and the PCI bus reset is an externally buffered version of this output.

XTALI *14.3MHz Crystal Input*

XTALO *14.3MHz Crystal Output.* These pins are the 14.318 MHz crystal input; This clock is used as the reference clock for the internal frequency synthesizer to generate the HCLK and CLK24M.

A 14.318 MHz Series Cut Quartz Crystal should be connected between these two pins. Balance capacitors of 15 pF should also be added. In the event of an external oscillator providing the master clock signal to the STPC Industrial device, the TTL signal should be provided on XTALO.

PCI_CLKI *33MHz PCI Input Clock*

This signal must be connected to a clock generator and is usually connected to PCI_CLKO.

PCI_CLKO *33MHz PCI Output Clock.* This is the master PCI bus clock output

ISA_CLK *ISA Clock Output (also Multiplexer Select Line For IPC).* This pin produces the Clock signal for the ISA bus. It is also used with ISA_CLK2X as the multiplexer control lines for the Interrupt Controller Interrupt input lines. This is a divided down version of the PCICLK or OSC14M.

ISA_CLKX2 *ISA Clock Output (also Multiplexer Select Line For IPC).* This pin produces a signal at twice the frequency of the ISA bus Clock signal. It is also used with ISA_CLK as the multiplexer control lines for the Interrupt Controller Interrupt input lines.

CLK14M *ISA bus synchronisation clock.* This is the buffered 14.318 Mhz clock to the ISA bus. This clock also provides the reference clock to the frequency synthesizer that generates GCLK2X and DCLK.

HCLK *Host Clock.* This is the host 1X clock. Its frequency can vary from 50 to 75 MHz. All host transactions and PCI transactions are synchronized to this clock. Host transactions executed by the DRAM controller are also driven by this clock.

DEV_CLK *24MHz Peripheral Clock (floppy drive).* This 24MHZ signal is provided as a convenience for the system integration of a Floppy Disk driver function in an external chip.

GCLK2X *80MHz Graphics Clock.* This is the Graphics 2X clock, which drives the graphics engine and the DRAM controller to execute the graphics and display cycles.

Normally GCLK2X is generated by the internal frequency synthesizer, and this pin is an output. By setting a bit in Strap Register 2, this pin can be made an input so that an external clock can replace the internal frequency synthesizer.

DCLK *135MHz Dot Clock.* This is the dot clock, which drives graphics display cycles. Its frequency can be as high as 135 MHz, and it is required to have a worst case duty cycle of 60-40. For further details, refer to Section 2.1.3 bit 4.

3.2.3 MEMORY INTERFACE

MA[11:0] *Memory Address.* These 12 multiplexed memory address pins support external DRAM with up to 4K refresh. These include all 16M x N and some 4M x N DRAM modules. The address signals must be externally buffered to support more than 16 DRAM chips. The timing of these signals can be adjusted by software to match the timings of most DRAM modules.

MD[63:0] *Memory Data.* This is the 64-bit memory data bus. If only half of a bank is populated, MD63-32 is pulled high, data is on MD31-0. MD20-0 are also used as inputs at the rising edge of PWGD to latch in power-up configuration information into the ADPC strap registers.

RAS#[3:0] *Row Address Strobe*. There are 4 active low row address strobe outputs, one each for each bank of the memory. Each bank contains 4 or 8-Bytes of data. The memory controller allows half of a bank (4-Bytes) to be populated to enable memory upgrade at finer granularity. The RAS# signals drive the SIMMs directly without any external buffering. These pins are always outputs, but they can also simultaneously be inputs, to allow the memory controller to monitor the value of the RAS# signals at the pins.

CAS#[7:0] *Column Address Strobe*. There are 8 active low column address strobe outputs, one each for each Byte of the memory. The CAS# signals drive the SIMMs either directly or through external buffers. These pins are always outputs, but they can also simultaneously be inputs, to allow the memory controller to monitor the value of the CAS# signals at the pins.

MWE# *Write Enable*. Write enable specifies whether the memory access is a read (MWE# = H) or a write (MWE# = L). This single write enable controls all DRAMs. It can be externally buffered to boost the maximum number of loads (DRAM chips) supported. The MWE# signals drive the SIMMs directly without any external buffering.

3.2.4 LOCAL BUS INTERFACE (Combined with ISA Bus)

PA[21:0] *Memory Address*. This is the 22-bit Local Bus Address

PD[15:0] *Data Bus*. This is the 16-bit bidirectional Local Bus Data bus.

PRDY# *Ready*. This input signals the Local Bus Ready state.

PWR#1 *Memory and I/O Write signal for MS Byte*

PWR#0 *Memory and I/O Write signal for LS Byte*.

PRD#1 *Memory and I/O Read signals for MS Byte*.

PRD#0 *Memory and I/O Read signals for LS Byte*.

FCS#[1:0], IOCS#[3:0] *Flash Memory and I/O Chip select*.

3.2.5 ISA BUS INTERFACE

LA[23:17] *Unlatched Address*. These unlatched ISA Bus pins address bits 23-17 on 16-bit devices. When the ISA bus is accessed by any cycle initiated from the PCI bus, these pins are in output mode. When an ISA bus master owns the bus, these pins are tristated.

SA[19:0] *Unlatched Address*. These are the 20 low bits of the system address bus of ISA. These pins are used as an input when an ISA bus master owns the bus and are outputs at all other times.

SD[15:0] *I/O Data Bus (ISA)*. These are the external ISA databus pins.

IOCHRDY *IO Channel Ready*. IOCHRDY is the IO channel ready signal of the ISA bus and is driven as an output in response to an ISA master cycle targeted to the host bus or an internal register of the STPC Industrial. The STPC Industrial monitors this signal as an input when performing an ISA cycle on behalf of the host CPU, DMA master or refresh.

ISA masters which do not monitor IOCHRDY are not guaranteed to work with the STPC Industrial since the access to the system memory can be considerably delayed due to CRT refresh or a write back cycle.

ALE *Address Latch Enable*. This is the address latch enable output of the ISA bus and is asserted by the STPC Industrial to indicate that LA23-17, SA19-0, AEN and SBHE# signals are valid. The ALE is driven high during refresh, DMA master or an ISA master cycles by the STPC Industrial. ALE is driven low after reset.

BHE# *System Bus High Enable*. This signal, when asserted, indicates that a data Byte is being transferred on SD15-8 lines. It is used as an input when an ISA master owns the bus and is an output at all other times.

MEMR# *Memory Read*. This is the memory read command signal of the ISA bus. It is used as an input when an ISA master owns the bus and is an output at all other times. The MEMR# signal is active during refresh.

MEMW# *Memory Write*. This is the memory write command signal of the ISA bus. It is used as an input when an ISA master owns the bus and is an output at all other times.

PIN DESCRIPTION

SMEMR# *System Memory Read.* The STPC Industrial generates SMEMR# signal of the ISA bus only when the address is below one MByte or the cycle is a refresh cycle.

SMEMW# *System Memory Write.* The STPC Industrial generates SMEMW# signal of the ISA bus only when the address is below one MByte.

IOR# *I/O Read.* This is the IO read command signal of the ISA bus. It is an input when an ISA master owns the bus and is an output at all other times.

IOW# *I/O Write.* This is the IO write command signal of the ISA bus. It is an input when an ISA master owns the bus and is an output at all other times.

MASTER# *Add On Card Owns Bus.* This signal is active when an ISA device has been granted bus ownership.

MCS16# *Memory Chip Select16.* This is the decode of LA23-17 address pins of the ISA address bus without any qualification of the command signal lines. MCS16# is always an input. The STPC Industrial ignores this signal during IO and refresh cycles.

IOCS16# *IO Chip Select16.* This signal is the decode of SA15-0 address pins of the ISA address bus without any qualification of the command signals. The STPC Industrial does not drive IOCS16# (similar to PC-AT design). An ISA master access to an internal register of the STPC Industrial is executed as an extended 8-bit IO cycle.

REF# *Refresh Cycle.* This is the refresh command signal of the ISA bus. It is driven as an output when the STPC Industrial performs a refresh cycle on the ISA bus. It is used as an input when an ISA master owns the bus and is used to trigger a refresh cycle.

The STPC Industrial performs a pseudo hidden refresh. It requests the host bus for two host clocks to drive the refresh address and capture it in external buffers. The host bus is then relinquished while the refresh cycle continues on the ISA bus.

AEN *Address Enable.* Address Enable is enabled when the DMA controller is the bus owner to indicate that a DMA transfer will occur. The enabling of the signal indicates to IO devices to ignore the IOR#/IOW# signal during DMA transfers.

IOCHCK# *IO Channel Check.* IO Channel Check is enabled by any ISA device to signal an error condition that can not be corrected. NMI signal becomes active upon seeing IOCHCK# active if the corresponding bit in Port B is enabled.

GPIOCS# *I/O General Purpose Chip Select 1.* This output signal is used by the external latch on ISA bus to latch the data on the SD[7:0] bus. The latch can be used by PMU unit to control the external peripheral devices to power down or any other desired function. This pin is also serves as a strap input during reset.

RTCRW# *Real Time Clock RW#.* This pin is used as RTCRW#. This signal is asserted for any I/O write to port 71h.

RTCDS# *Real Time Clock DS.* This pin is used as RTCDS. This signal is asserted for any I/O read to port 71h.

RTCAS# *Real time clock address strobe.* This signal is asserted for any I/O write to port 70h.

RMRTCCS# *ROM/Real Time clock chip select.* This pin is a multi-function pin. This signal is asserted if a ROM access is decoded during a memory cycle. It should be combined with MEMR# or MEMW# signals to properly access the ROM. During an IO cycle, this signal is asserted if access to the Real Time Clock (RTC) is decoded. It should be combined with IOR# or IOW# signals to properly access the real time clock.

IRQ_MUX[3:0] *Multiplexed Interrupt Request.* These are the ISA bus interrupt signals. They are to be encoded before connection to the STPC Industrial using ISACLK and ISACLKX2 as the input selection strobes. Note that IRQ8B, which by convention is connected to the RTC, is inverted before being sent to the interrupt controller, so that it may be connected directly to the IRQ# pin of the RTC.

3.2.6 IPC (Combined with Serial Interface)

DACK_ENC[2:0] *DMA Acknowledge.* These are the ISA bus DMA acknowledge signals. They are encoded by the STPC Industrial before output and should be decoded externally using ISACLK and ISACLKX2 as the control strobes.

DREQ_MUX[1:0] *ISA Bus Multiplexed DMA Request.* These are the ISA bus DMA request signals. They are to be encoded before connection to the STPC Industrial using ISACLK and ISACLKX2 as the input selection strobes.

TC *ISA Terminal Count.* This is the terminal count output of the DMA controller and is connected to the TC line of the ISA bus. It is asserted during the last DMA transfer, when the Byte count expires.

3.2.7 KEYBOARD/MOUSE INTERFACE

KBCLK, *Keyboard Clock line.* Keyboard data is latched by the controller on each negative clock edge produced on this pin. The keyboard can be disabled by pulling this pin low by software control.

KBDATA, *Keyboard Data Line.* 11-bits of data are shifted serially through this line when data is being transferred. Data is synchronised to KBCLK.

MCLK, *Mouse Clock line.* Mouse data is latched by the controller on each negative clock edge produced on this pin. The mouse can be disabled by pulling this pin low by software control.

MDATA, *Mouse Data Line.* 11-bits of data are shifted serially through this line when data is being transferred. Data is synchronised to MCLK.

3.2.8 SERIAL INTERFACE (Serial 1 combined with TFT Interface) (Serial 2 combined with IPC)

SIN1, SIN2 *Input Serial input.* Data is clocked in using RCLK/16.

SOUT1, SOUT2 *Serial Output.* Data is clocked out using TCLK/16 (TCLK=BAUD#).

DCD1#, DCD2# *Input Data carrier detect.*

RI1#, RI2# *Input Ring indicator.*

DSR1#, DSR2# *Input Data set ready.*

CTS1#, CTS2# *Input Clear to send.*

RTS1#, RTS2# *Output Request to send.*

DTR1#, DTR2# *Output Data terminal read.*

3.2.9 PARALLEL PORT (Combined with ISA Bus an IPC)

PE *Paper End.* Input status signal from printer.

SLCT *Printer Select.* Printer selected input.

BUSY# *Printer Busy.*
Input status signal from printer.

ERR# *Error.* Input status signal from printer.

ACK# *Acknowledge.*
Input status signal from printer.

PDDIR# *Parallel Device Direction.*
Bidirectional control line output.

STROBE# *PCS/Strobe#.*
Data transfer strobe line to printer.

INIT# *Initialize Printer.* This output sends an initialize command to the connected printer.

AUTPFDX# *Automatic Line feed.* This output sends a command to the connected printer to automatically generate line feed on received carriage returns.

SLCTIN# *Select In.* Printer select output.

PPD[7-0] *Printer Data Lines* Data transfer lines to printer. Bidirectional depending on modes.

PIN DESCRIPTION

3.2.10 PCMCIA INTERFACE (Combined with PCI / Cardbus)

RESET *Card Reset.* This output forces a hard reset to a PC Card.

A[25:0] *Address Bus.* These are the 25 low bits of the system address bus of the PCMCIA bus. These pins are used as an input when an PCMCIA bus owns the bus and are outputs at all other times.

D[15:0] *I/O Data Bus (PCMCIA).* These are the external PCMCIA databus pins.

CA[25-0] *Card Address.* Used with the lower 11 bits of the ISA Address Bus to generate the Card Address.

IORD# *I/O Read.* This output is used with REG# to gate I/O read data from the PC Card, (only when REG# is asserted).

IOWR# *I/O Write.* This output is used with REG# to gate I/O write data from the PC Card, (only when REG# is asserted).

WP *Write Protect.* This input indicates the status of the Write Protect switch (if fitted) on memory PC Cards (asserted when the switch is set to write protect).

BVD1, BVD2 *Battery Voltage Detect.* These inputs will be generated by memory PC Cards that include batteries and are an indication of the condition of the batteries. BVD1 and BVD2 are kept asserted high when the battery is in good condition.

READY#/BUSY#/IREQ# *Ready/busy/Interrupt request.* This input is driven low by memory PC Cards to signal that their circuits are busy processing a previous write command.

WAIT# *Bus Cycle Wait.* This input is driven by the PC Card to delay completion of the memory or I/O cycle in progress.

OE# *Output Enable.* OE# is an active low output which is driven to the PC Card to gate Memory Read data from memory PC Cards.

WE#/PRGM# *Write Enable.* This output is used by the host for gating Memory Write data. WE# is also used for memory PC Cards that have programmable memory.

REG# *Attribute Memory Select.* This output is inactive (high) for all normal accesses to the Main Memory of the PC Card. I/O PC Cards will only respond to IORD# or IOWR# when REG# is active (low). Also see Section 3.2.6

CD1#, CD2# *Card Detect.* These inputs provide for the detection of correct card insertion. CD#1 and CD#2 are positioned at opposite ends of the connector to assist in the detection process. These inputs are internally grounded on the PC Card therefore they will be forced low whenever a card is inserted in a socket.

CE1#, CE2# *Card Enable.* These are active low output signals provided from the PCIC. CE#1 enables even Bytes, CE#2 odd Bytes.

ENABLE# *Enable.* This output is used to activate/select a PC Card socket. ENABLE# controls the external address buffer logic. C card has been detected (CD#1 and CD#2 = '0').

ENIF# *ENIF.* This output is used to activate/select a PC Card socket.

EXT_DIR *EXternal Transreceiver Direction Control.* This output is high during a read and low during a write. The default power up condition is write (low). Used for both Low and High Bytes of the Data Bus.

VCC_EN#, VPP1_EN0, VPP1_EN1, VPP2_EN0, VPP2_EN1 *Power Control.* Five output signals used to control voltages (VPP1, VPP2 and VCC) to a PC Card socket. Also see Section 16.7.5

GPI# *General Purpose Input.* This signal is hard-wired to 1.

3.2.11 CARDBUS INTERFACE (Combined with PCI / PCMCIA)

For card bus pinouts, refer to the PCI pinout.

3.2.12 PCI INTERFACE

AD[31:0] *PCI Address/Data*. This is the 32-bit multiplexed address and data bus of the PCI. This bus is driven by the master during the address phase and data phase of write transactions. It is driven by the target during data phase of read transactions.

BE[3:0]# *Bus Commands/Byte Enables*. These are the multiplexed command and Byte enable signals of the PCI bus. During the address phase they define the command and during the data phase they carry the Byte enable information. These pins are inputs when a PCI master other than the STPC Industrial owns the bus and outputs when the STPC Industrial owns the bus.

FRAME# *Cycle Frame*. This is the frame signal of the PCI bus. It is an input when a PCI master owns the bus and is an output when STPC Industrial owns the PCI bus.

TRDY# *Target Ready*. This is the target ready signal of the PCI bus. It is driven as an output when the STPC Industrial is the target of the current bus transaction. It is used as an input when STPC Industrial initiates a cycle on the PCI bus.

IRDY# *Initiator Ready*. This is the initiator ready signal of the PCI bus. It is used as an output when the STPC Industrial initiates a bus cycle on the PCI bus. It is used as an input during the PCI cycles targeted to the STPC Industrial to determine when the current PCI master is ready to complete the current transaction.

STOP# *Stop Transaction*. STOP# is used to implement the disconnect, retry and abort protocol of the PCI bus. It is used as an input for the bus cycles initiated by the STPC Industrial and is used as an output when a PCI master cycle is targeted to the STPC Industrial.

DEVSEL# *I/O Device Select*. This signal is used as an input when the STPC Industrial initiates a bus cycle on the PCI bus to determine if a PCI slave device has decoded itself to be the target of the current transaction. It is asserted as an output either when the STPC Industrial is the target of the current PCI transaction or when no other device asserts DEVSEL# prior to the subtractive decode phase of the current PCI transaction.

PAR *Parity Signal Transactions*. This is the parity signal of the PCI bus. This signal is used to guarantee even parity across AD[31:0], CBE[3:0]#, and PAR. This signal is driven by the master during the address phase and data phase of write transactions. It is driven by the target during data phase of read transactions. (Its assertion is identical to that of the AD bus delayed by one PCI clock cycle)

SERR# *System Error*. This is the system error signal of the PCI bus. It may, if enabled, be asserted for one PCI clock cycle if target aborts a STPC Industrial initiated PCI transaction. Its assertion by either the STPC Industrial or by another PCI bus agent will trigger the assertion of NMI to the host CPU. This is an open drain output.

LOCK# *PCI Lock*. This is the lock signal of the PCI bus and is used to implement the exclusive bus operations when acting as a PCI target agent.

PCI_REQ#[2:0] *PCI Request*. These pins are the three external PCI master request pins. They indicate to the PCI arbiter that the external agents desire use of the bus.

PCI_GNT#[2:0] *PCI Grant*. These pins indicate that the PCI bus has been granted to the master requesting it on its PCI_REQ#.

PCI_INT[3:0] *PCI Interrupt Request*. These are the PCI bus interrupt signals. They are to be encoded before connection to the STPC Industrial using ISACLK and ISACLKX2 as the input selection strobes.

3.2.13 MONITOR INTERFACE

RED, GREEN, BLUE *RGB Video Outputs*. These are the 3 analog color outputs from the RAMDACs

VSYSN *Vertical Synchronisation Pulse*. This is the vertical synchronization signal from the VGA controller.

PIN DESCRIPTION

HSYNC *Horizontal Synchronisation Pulse.* This is the horizontal synchronization signal from the VGA controller.

VREF_DAC *DAC Voltage reference.* This pin is an input driving the digital to analog converters. This allows an external voltage reference source to be used.

RSET *Resistor Current Set.* This is the reference current input to the RAMDAC. Used to set the full-scale output of the RAMDAC.

COMP *Compensation.* This is the RAMDAC compensation pin. Normally, an external capacitor (typically 10nF) is connected between this pin and V_{DD} to damp oscillations.

DDC[1:0] *Direct Data Channel Serial Link.* These bidirectional pins are connected to CRTC register 3Fh to implement DDC capabilities. They conform to I²C electrical specifications, they have open-collector output drivers which are internally connected to V_{DD} through pull-up resistors.

They can instead be used for accessing I²C devices on board. DDC1 and DDC0 correspond to SCL and SDA respectively.

3.2.14 FLAT PANEL INTERFACE SIGNALS (Combined with Serial 1)

FPFRAME, *Vertical Sync. pulse Output.*

FPLINE, *Horizontal Sync. Pulse Output.*

DE, *Data Enable.*

R5-0, *Red Output.*

G5-0, *Green Output.*

B5-0, *Blue Output.*

ENAVDD *Enable VDD of Flat Panel.*

ENVCC *Enable VCC of Flat Panel.*

PWM *PWM Back-Light Control.*

3.2.15 MISCELLANEOUS

SPKRD *Speaker Drive.* This is the output to the speaker and is the AND of the counter 2 output with bit 1 of Port 61h and drives an external speaker driver. This output should be connected to a 7407 type high voltage driver.

SCAN_ENABLE *Reserved.* This pin is reserved for Test and Miscellaneous functions. It has to be set to '0' or connected to ground in normal operation.

Table 3-3. Signals sharing the same pin

ISA BUS / IPC	LOCAL BUS	PARALLEL PORT	SERIAL INTERFACE
LA[23:22]	FCS#[0], PRD#[1]		
LA[21:20]	PA[21:20]		
LA[19:17]	PRD#[0], PWR#[1:0]		
SA[19:1]	PA[19:1]		
SA[0]	PRDY#		
SD[15:0]	PD[15:0]		
BHE#	FCS#[1]		
MEMR#, MEMW#	IOCS[3:2]		
SMEMR#, SMEMW#	IOCS[1:0]		
GPIOCS#		PE	
IOCHRDY		SLCT	
IOR#		BUSY#	
IOW#		ERR#	
MASTER#		ACK#	
MCS16#		PDDIR#	
IOCS16#		INIT#	
REF#		AUTPFDX#	
AEN		SLCTIN#	
IOCHCK#		PPD[7]	
RTCRW#		PPD[5]	
RTCDS#		PPD[4]	
RTCAS#		PPD[3]	
RMRTCCS#		PPD[2]	
ALE		PPD[1]	
DACK_ENC[0:2]			DCD2#, DSR2#, SIN2
DREQ_MUX[0:1]			CTS2#, RTS2#
TC			SOUT2

TFT INTERFACE	SERIAL 1
B[0,1]	DCD1#, CTS1#
G[0,1]	DSR1#, RTS1#
R[0,1]	SIN1, SOUT1

PCI	CARDBUS	PCMCIA
	CCLK	A[16]
	CRST#	RESET
AD[31:27]	CAD[31:27]	D[10,9,1,8,0]
AD[26:20]	CAD[26:20]	A[0:6]

PIN DESCRIPTION

PCI	CARDBUS	PCMCIA
AD[19]	CAD[19]	A[25]
AD[18]	CAD[18]	A[7]
AD[17]	CAD[17]	A[24]
AD[16]	CAD[16]	A[17]
AD[15]	CAD[15]	IOWR#
AD[14]	CAD[14]	A[9]
AD[13]	CAD[13]	IORD#
AD[12]	CAD[12]	A[11]
AD[11]	CAD[11]	OE# / TCw
AD[10]	CAD[10]	CE[2]
AD[9]	CAD[9]	A[10]
AD[8:0]	CAD[8:0]	D[15,7,13,6,12,5,11,4,3]
BE[3]	CBE[3]	DACK/REG#
BE[2]	CBE[2]	A[12]
BE[1]	CBE[1]	A[8]
BE[0]	CBE[0]	CE[1]
FRAME#	CFRAME#	A[23]
TRDY#	CTRDY#	A[22]
IRDY#	CIRDY#	A[15]
STOP#	CSTOP#	A[20]
DEVSEL#	CDEVSEL#	A[21]
PAR	CPAR	A[13]
	CPERR#	A[14]
SERR#	CSERR#	WAIT
LOCK#	CBLOCK#	A[19]
PCIREQ#[2]	CREQ#	INPACK#
PCIREQ#[1]	CCD1	CD1#
PCIREQ#[0]	CSTSCHG#	BVD1
PCIGNT#[2]	CGNT#	WE# / TCr
PCIGNT#[1]	CCD2	CD2#
PCIGNT#[0]		BVD2
PCI_INT[3]		VCC3_EN
PCI_INT[2]		VCC5_EN
PCI_INT[1]		VPP_PGM
PCI_INT[0]	CINT#	READY#
	CLKRUN	DREQ# / WP / IOIS16#
		A[18]

Table 3-4. Pinout.

Pin #	Pin name
C4	SYSRSTI#
A3	SYSRSTO#
AB25	XTALI
AB23	XTALO
G25	PCI_CLKI
H23	PCI_CLKO
B20	ISA_CLK
A20	ISA_CLK2X
AC26	CLK14M
H26	HCLK
J26	DEV_CLK
AC15	GCLK2X
AD16	DCLK
AE13	MA[0]
AC12	MA[1]
AF13	MA[2]
AD12	MA[3]
AE14	MA[4]
AC14	MA[5]
AF14	MA[6]
AD13	MA[7]
AE15	MA[8]
AD14	MA[9]
AF15	MA[10]
AE16	MA[11]
AD15	RAS#[0]
AF16	RAS#[1]
AC17	RAS#[2]
AE18	RAS#[3]
AD17	CAS#[0]
AF18	CAS#[1]
AE19	CAS#[2]
AF19	CAS#[3]
AD18	CAS#[4]
AE20	CAS#[5]
AC19	CAS#[6]
AF20	CAS#[7]
AD19	MWE#
AE21	MD[0]
AC20	MD[1]
AF21	MD[2]
AD20	MD[3]

Pin #	Pin name
AE22	MD[4]
AF22	MD[5]
AD21	MD[6]
AE23	MD[7]
AC22	MD[8]
AF23	MD[9]
AD22	MD[10]
AE24	MD[11]
AD23	MD[12]
AF24	MD[13]
AE26	MD[14]
AD25	MD[15]
AD26	MD[16]
AC25	MD[17]
AC24	MD[18]
AB24	MD[19]
AB26	MD[20]
AA25	MD[21]
Y23	MD[22]
AA24	MD[23]
AA26	MD[24]
Y25	MD[25]
Y26	MD[26]
Y24	MD[27]
W25	MD[28]
V23	MD[29]
W26	MD[30]
W24	MD[31]
V25	MD[32]
V26	MD[33]
U25	MD[34]
V24	MD[35]
U26	MD[36]
U23	MD[37]
T25	MD[38]
U24	MD[39]
T26	MD[40]
R25	MD[41]
R26	MD[42]
T24	MD[43]
P25	MD[44]
R23	MD[45]
P26	MD[46]
R24	MD[47]

Pin #	Pin name
N25	MD[48]
N23	MD[49]
N26	MD[50]
P24	MD[51]
M25	MD[52]
N24	MD[53]
M26	MD[54]
L25	MD[55]
M24	MD[56]
L26	MD[57]
M23	MD[58]
K25	MD[59]
L24	MD[60]
K26	MD[61]
K23	MD[62]
J25	MD[63]
B1	PA[0]
P1	LA[17] / PWR#[0]
N3	LA[18] / PWR#[1]
R2	LA[19] / PRD#[0]
C1	LA[20] / PA[20]
C2	LA[21] / PA[21]
P3	LA[22] / PRD#[1]
R1	LA[23] / FCS#[0]
P4	SA[0] / PRDY#
J2	SA[1] / PA[1]
H3	SA[2] / PA[2]
H1	SA[3] / PA[3]
J4	SA[4] / PA[4]
H2	SA[5] / PA[5]
G3	SA[6] / PA[6]
G1	SA[7] / PA[7]
G2	SA[8] / PA[8]
F1	SA[9] / PA[9]
F3	SA[10] / PA[10]
G4	SA[11] / PA[11]
F2	SA[12] / PA[12]
E1	SA[13] / PA[13]
E3	SA[14] / PA[14]
E4	SA[15] / PA[15]
E2	SA[16] / PA[16]
D1	SA[17] / PA[17]

PIN DESCRIPTION

Pin #	Pin name
D3	SA[18] / PA[18]
D2	SA[19] / PA[19]
P2	SD[0] / PD[0]
M3	SD[1] / PD[1]
N1	SD[2] / PD[2]
M4	SD[3] / PD[3]
N2	SD[4] / PD[4]
L3	SD[5] / PD[5]
M1	SD[6] / PD[6]
M2	SD[7] / PD[7]
L1	SD[8] / PD[8]
K3	SD[9] / PD[9]
L2	SD[10] / PD[10]
K4	SD[11] / PD[11]
K1	SD[12] / PD[12]
J3	SD[13] / PD[13]
K2	SD[14] / PD[14]
J1	SD[15] / PD[15]
T2	BHE# / FCS#[1]
R3	MEMR# / IOCS#[3]
T1	MEMW# / IOCS#[2]
R4	SMEMR# / IOCS#[1]
U2	SMEMW# / IOCS#[0]
AB2	IOCHRDY / SLCT
AB1	IOR# / BUSY#
Y3	GPIOCS# / PE
AA3	IOW# / ERR#
AC2	MASTER# / ACK#
AB4	MCS16# / PDDIR#
AB3	IOCS16# / INIT#
AD2	REF# / AUTPFDX#
AC3	AEN / SLCTIN#
E25	IOCHCK# / PPD[7]
E26	PPD[6]
F24	RTCRW# / PPD[5]
D25	RTCDS# / PPD[4]
E23	RTCAS# / PPD[3]
D26	RMRTCCS# / PPD[2]
E24	ALE / PPD[1]
C25	PPD[0]
AC1	STROBE#
D5	IRQ_MUX[0]
A4	IRQ_MUX[1]

Pin #	Pin name
C5	IRQ_MUX[2]
B3	IRQ_MUX[3]
AD1	SPKRD
V3	DACK_ENC[0]/DCD2#
Y2	DACK_ENC[1]/DSR2#
W4	DACK_ENC[2] / SIN2
Y1	DREQ_MUX[0]/CTS2#
W3	DREQ_MUX[1]/RTS2#
AA2	TC / SOUT2
Y4	DTR2#
AA1	RI2#
U4	SIN1 / R[0]
V1	SOUT1 / R[1]
V2	CTS1 / B[1]
U3	RTS1# / G[1]
U1	DSR1# / G[0]
W2	DTR1#
T3	DCD1# / B[0]
W1	RI1#
F25	KBCLK
F26	KBDATA
G24	MCLK
G23	MDATA
D18	RESET
C18	A[0]
A17	A[1]
D17	A[2]
B16	A[3]
C17	A[4]
A16	A[5]
B15	A[6]
A15	A[7]
C16	A[8]
B14	A[9]
D15	A[10]
A14	A[11]
C15	A[12]
B13	A[13]
D13	A[14]
A13	A[15]
C14	A[16]

Pin #	Pin name
B12	A[17]
C13	A[18]
A12	A[19]
B11	A[20]
A11	A[21]
D12	A[22]
B10	A[23]
C11	A[24]
A10	A[25]
D10	D[0]
B9	D[1]
C10	D[2]
A9	D[3]
B8	D[4]
C9	D[5]
B7	D[6]
D8	D[7]
A7	D[8]
B6	D[9]
D7	D[10]
A6	D[11]
C7	D[12]
A5	D[13]
C6	D[14]
B4	D[15]
B22	IORD#
D22	IOWR#
D24	WP
A18	BVD1
C26	BVD2
A21	READY#
C19	WAIT#
A25	INPACK#
C22	OE#
B18	WE#
B19	REG#
B24	CD1#
A24	CD2#
B23	CE1#
C23	CE2#
C20	VS1#
A19	VS2#
D20	VCC5_EN
C21	VCC3_EN

PIN DESCRIPTION

Pin #	Pin name
B21	VPP_PGM
A22	VPP_VCC
AD4	RED
AF4	GREEN
AE5	BLUE
AF3	VSYNC
AE4	HSYNC
AF5	VREF_DAC
AE6	RSET
AF6	COMP
AE3	SDA / DDC[1]
AF2	SCL / DDC[0]
AE7	B[2]
AF7	G[2]
AD7	R[2]
AE8	B[3]
AC9	G[3]
AF8	R[3]
AD8	B[4]
AE9	G[4]
AF9	R[4]
AE10	B[5]
AD9	G[5]
AF10	R[5]
AC10	RESERVED
AD10	FPLINE
AE11	FPFRAME
AF11	DE
AE12	ENAVDD
AF12	ENVCC
AD11	PWM
C8	SCAN_ENABLE
AD5	VDD_DAC1
AC5	VDD_DAC2
AE17	VDD_GCLK_PLL
AF17	VDD_DCLK_PLL
K24	VDD_ZCLK_PLL
H25	VDD_DEVCLK_PLL
J24	VDD_HCLK_PLL

Pin #	Pin name
A8	RESERVED
A23	RESERVED
B5	RESERVED
B17	RESERVED
C12	RESERVED
D6	VDD
D11	VDD
D16	VDD
D21	VDD
F4	VDD
F23	VDD
L4	VDD
L23	VDD
T4	VDD
T23	VDD
AA4	VDD
AA23	VDD
AC6	VDD
AC11	VDD
AC16	VDD
AC21	VDD
AC7	VSS_DAC1
AD6	VSS_DAC2
G26	VSS_DLL
H24	VSS_DLL
A1	VSS
A2	VSS
A26	VSS
B2	VSS
B25	VSS
B26	VSS
C3	VSS
C24	VSS
D4	VSS
D9	VSS
D14	VSS
D19	VSS
D23	VSS
H4	VSS
J23	VSS
L11:16	VSS
M11:16	VSS

Pin #	Pin name
N4	VSS
N11:16	VSS
P11:16	VSS
P23	VSS
R11:16	VSS
T11:16	VSS
V4	VSS
W23	VSS
AC4	VSS
AC8	VSS
AC13	VSS
AC18	VSS
AC23	VSS
AD3	VSS
AD24	VSS
AE1	VSS
AE2	VSS
AE25	VSS
AF1	VSS
AF25	VSS
AF26	VSS

ELECTRICAL SPECIFICATIONS

4 ELECTRICAL SPECIFICATIONS

4.1 INTRODUCTION

The electrical specifications in this chapter are valid for the STPC Industrial.

4.2 ELECTRICAL CONNECTIONS

4.2.1 Power/Ground Connections/Decoupling

Due to the high frequency of operation of the STPC Industrial, it is necessary to install and test this device using standard high frequency techniques. The high clock frequencies used in the STPC Industrial and its output buffer circuits can cause transient power surges when several output buffers switch output levels simultaneously. These effects can be minimized by filtering the DC power leads with low-inductance decoupling capacitors, using low impedance wiring, and by utilizing all of the VSS and VDD pins.

4.2.2 Unused Input Pins

All inputs not used by the designer and not listed

4.3 ABSOLUTE MAXIMUM RATINGS

The following table lists the absolute maximum ratings for the STPC Industrial device. Stresses beyond those listed under Table 4-1 limits may cause permanent damage to the device. These are stress ratings only and do not imply that operation under any conditions other than those specified in section "Operating Conditions".

in the table of pin connections in Section 3 should be connected either to VDD or to VSS. Connect active-high inputs to VDD through a 20 k Ω ($\pm 10\%$) pull-down resistor and active-low inputs to VSS and connect active-low inputs to VCC through a 20 k Ω ($\pm 10\%$) pull-up resistor to prevent spurious operation.

4.2.3 Reserved Designated Pins

Pins designated reserved should be left disconnected. Connecting a reserved pin to a pull-up resistor, pull-down resistor, or an active signal could cause unexpected results and possible circuit malfunctions.

Exposure to conditions beyond those outlined in Table 4-1 may (1) reduce device reliability and (2) result in premature failure even when there is no immediately apparent sign of failure. Prolonged exposure to conditions at or near the absolute maximum ratings (Table 4-1) may also result in reduced useful life and reliability.

4.3.1 5V Tolerance

The STPC is capable of running with I/O systems that operate at 5V such as PCI and ISA devices. Certain pins of the STPC tolerate inputs up to 5.5V. Above this limit the component is likely to sustain permanent damage.

All the pin that are V_{5T} have been denoted with a * besides the Signal Name in Table 3-1 .

Table 4-1. Absolute Maximum Ratings

Symbol	Parameter	Minimum	Maximum	Units
V _{DDx}	DC Supply Voltage	-0.3	4.0	V
V _I , V _O	Digital Input and Output Voltage	-0.3	VDD + 0.3	V
V _{5T}	5Volt Tolerance	2.5	5.5	
T _{STG}	Storage Temperature	-40	+150	°C
T _{OPER}	Operating Temperature	0	+70	°C
P _{TOT}	Maximum Power Dissipation	-	4.8	W

4.4 DC CHARACTERISTICS

Table 4-2. DC Characteristics

Recommended Operating conditions : VDD = 3.3V ±0.3V, Tcase = 0 to 100°C unless otherwise specified

Symbol	Parameter	Test conditions	Min	Typ	Max	Unit
V _{DD}	Operating Voltage		3.0	3.3	3.6	V
P _{DD}	Supply Power	V _{DD} = 3.3V, H _{CLK} = 66Mhz		3.2	3.9	W
H _{CLK}	Internal Clock	(Note 1)			80	Mhz
V _{DAC}	DAC Voltage Reference		1.215	1.235	1.255	V
V _{OL}	Output Low Voltage	I _{Load} = 1.5 to 8mA depending of the pin			0.5	V
V _{OH}	Output High Voltage	I _{Load} = -0.5 to -8mA depending of the pin	2.4			V
V _{ILD}	Input Low Voltage	Except XTALI	-0.3		0.8	V
		XTALI	-0.3		0.5	V
V _{IHD}	Input High Voltage	Except XTALI	2.1		V _{DD} +0.3	V
		XTALI	2.35		V _{DD} +0.3	V
I _{LK}	Input Leakage Current	Input, I/O	-5		5	µA
C _{IN}	Input Capacitance	(Note 2)				pF
C _{OUT}	Output Capacitance	(Note 2)				pF
C _{CLK}	Clock Capacitance	(Note 2)				pF

Notes:

1. MHz ratings refer to CPU clock frequency.
2. Not yet released.

Table 4-3. RAMDAC DC Specification

Symbol	Parameter	Min	Nom	Max
V _{ref}	Voltage Reference	1.00V	1.12V	1.24V
INL	Integrated Non Linear Error	-	-	2 lsb
DNL	Differentiated Non Linear Error	-	-	1lsb
FS	Full Scale	-	-	20mA
FSR	Full Scale Range	14.00 mA	16.50mA	19.00 mA
LSB	Least Significant Byte Size	54uA	63uA	72uA
Zero	Zero Scale @ 7.5IRE Mode	0.95mA	1.44mA	1.90mA
Compare	DAC to DAC matching	-	-	+/- 5%

4.5 AC CHARACTERISTICS

Table 4-5 through Table 4-14 list the AC characteristics including output delays, input setup requirements, input hold requirements and output float delays. These measurements are based on the measurement points identified in Figure 4-1. The rising clock edge reference level VREF , and other reference levels are shown in Table 4-4 below for the STPC Industrial. Input or output signals must cross these levels during testing.

Figure 4-1 shows output delay (A and B) and input setup and hold times (C and D). Input setup and hold times (C and D) are specified minimums, defining the smallest acceptable sampling window a synchronous input signal must be stable for correct operation.

ELECTRICAL SPECIFICATIONS

Table 4-4. Drive Level and Measurement Points for Switching Characteristics

Symbol	Value	Units
V_{REF}	1.5	V
V_{IHD}	3.0	V
V_{ILD}	0.0	V

Note: Refer to Figure 4-1.

Figure 4-1. Drive Level and Measurement Points for Switching Characteristics

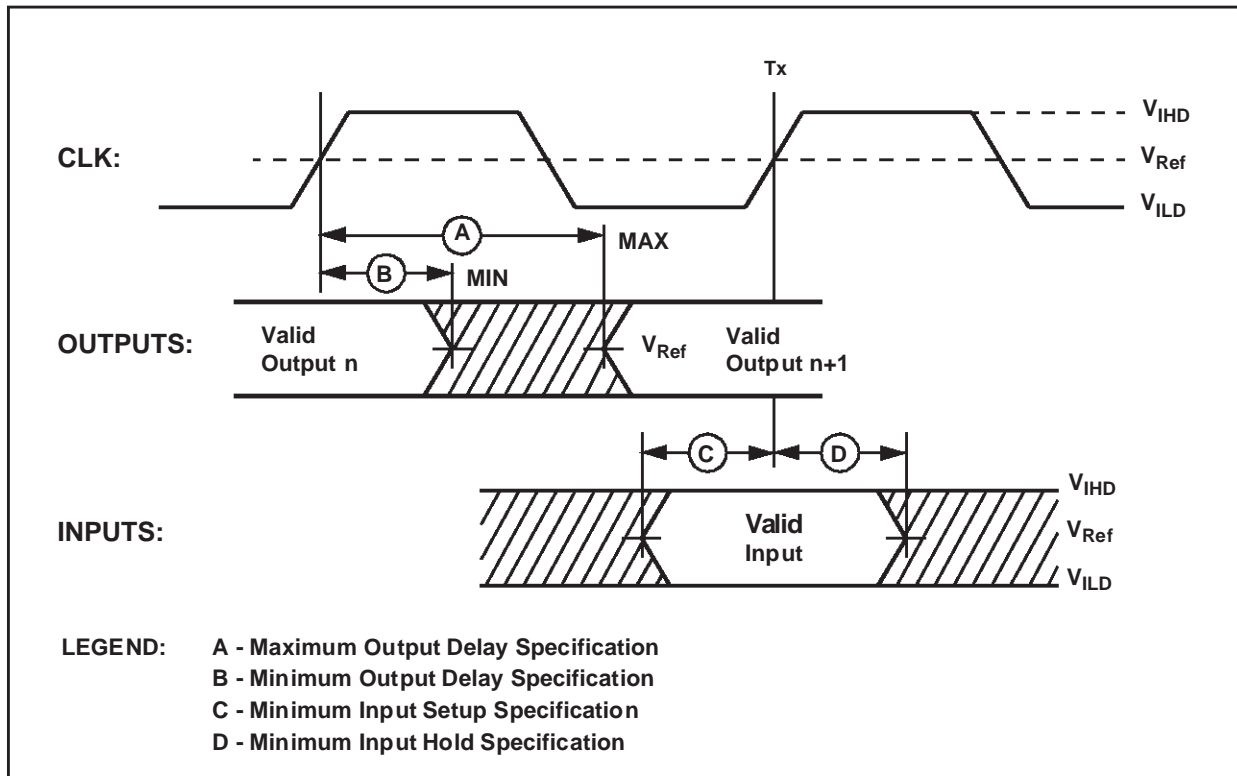


Table 4-5. DRAM Bus AC Timing

Name	Parameter	Min	Max	Unit
t1	HCLK to RAS#[3:0] valid		16	ns
t2	HCLK to CAS#[7:0] bus valid		16	ns
t3	HCLK to MA[11:0] bus valid		16	ns
t4	HCLK to MWE# valid		16	ns
t5	HCLK to MD[63:0] bus valid		16	ns
t6	MD[63:0] Generic setup	9		ns
t7	GCLK2X to RAS#[3:0] valid		17	ns
t8	GCLK2X to CAS#[7:0] valid		17	ns
t9	GCLK2X to MA[11:0] bus valid		17	ns
t10	GCLK2X to MWE# valid		17	ns
t11	GCLK2X to MD[63:0] bus valid		17	ns
t12	MD[63:0] Generic hold	5		ns

Table 4-6. PCI Interface AC Timings

Name	Parameter	Min	Max	Unit
t13	PCI_CLKI to FRAME# valid		15	nS
t14	PCI_CLKI to TRDY# valid		15	nS
t15	PCI_CLKI to IRDY# valid		15	nS
t16	PCI_CLKI to STOP# valid		15	nS
t17	PCI_CLKI to DEVSEL# valid		15	nS

Table 4-7. Graphics Adapter (VGA) AC Timing

Name	Parameter	Min	Max	Unit
t18	DCLK to VSYNC valid		27	ns
t19	DCLK to HSYNC valid		27	ns

Table 4-8. IPC Interface AC Timings

Name	Parameter	Min	Max	Unit
t20	XTALO to DACK_EN[2:0] valid		71	nS
t21	XTALO to TC valid		68	nS
t22	IRQ_MUX Input setup to ISACLK2X	0	-	nS
t23	DREQ_MUX[1:0] Input setup to ISACLK2X	0	-	nS

ELECTRICAL SPECIFICATIONS

Table 4-9. PCMCIA Interface AC Timing

Name	Parameters	Min	Max	Units
t24	Input setup to ISACLK2X	24		nS
t25	Input hold from ISACLK2X	5		nS
t28	ISACLK2X to IORD	-	55	nS
t29	ISACLK2X to IORW	-	55	nS
t30	ISACLK2X to AD[25:0]	-	25	nS
t31	ISACLK2X to OE#	2	55	nS
t32	ISACLK2X to WE#	2	55	nS
t33	ISACLK2X to DATA[15:0]	0	35	nS
t34	ISACLK2X to INPACK	2	55	nS
t35	ISACLK2X to CE1#	7	65	nS
t36	ISACLK2X to CE2#	7	65	nS
t37	ISACLK2X to RESET	2	55	nS

Table 4-10. Parallel Interface AC Timing

Name	Parameters	Min	Max	Units
t37	STROBE# to BUSY setup	0	-	nS
t38	PD bus to AOUTPFD# hold	0	-	nS
t39	PB bus to BUSY setup	0	-	nS

Table 4-11. Keyboard Interface AC Timing

Name	Parameters	Min	Max	Units
t40	Input setup to KBCLK	5	-	nS
t41	Input hold to KBCLK	1	-	nS
t42	KBCLK to KBDATA	-	12	nS

Table 4-12. Mouse Interface AC Timing

Name	Parameters	Min	Max	Units
t43	Input setup to MCLK	5	-	nS
t44	Input hold to MCLK	1	-	nS
t45	MCLK to MDATA	-	12	nS

Table 4-13. Local Bus Interface AC Timing

Name	Parameters	Min	Max	Units
t46	PRDY# Input hold to HCLK	2		nS
t47	PD[15:0] Input hold to HCLK	2		nS
t48	PRDY# Input setup to HCLK	1	-	nS
t49	PD[15:0] Input setup to HCLK	2	4	nS
t50	HCLK to PA bus	-	15	nS
t51	HCLK to PD bus	-	15	nS
t52	HCLK to PWR0#	-	15	nS
t53	HCLK to PWR1#	-	15	nS
t54	HCLK to PRD0#	-	15	nS
t55	HCLK to PRD1#	-	15	nS
t56	HCLK to FCS0#	-	15	nS
t57	HCLK to FCS1#	-	15	nS
t58	HCLK to IOCS#[3:0]	-	15	nS

Table 4-14. TFT Interface Timing

Name	Parameters	Min	Max	Units
t59	DCLK to FPLINE		15	nS
t60	DCLK to R[2]		15	nS
t61	DCLK to R[3]		15	nS
t62	DCLK to R[4]		15	nS
t63	DCLK to R[5]		15	nS
t64	DCLK to G[2]		15	nS
t65	DCLK to G[3]		15	nS
t66	DCLK to G[4]		15	nS
t67	DCLK to G[5]		15	nS
t68	DCLK to B[2]		15	nS
t68	DCLK to B[3]		15	nS
t69	DCLK to B[4]		15	nS
t70	DCLK to B[5]		15	nS
t71	DCLK to FPFRAME		15	nS

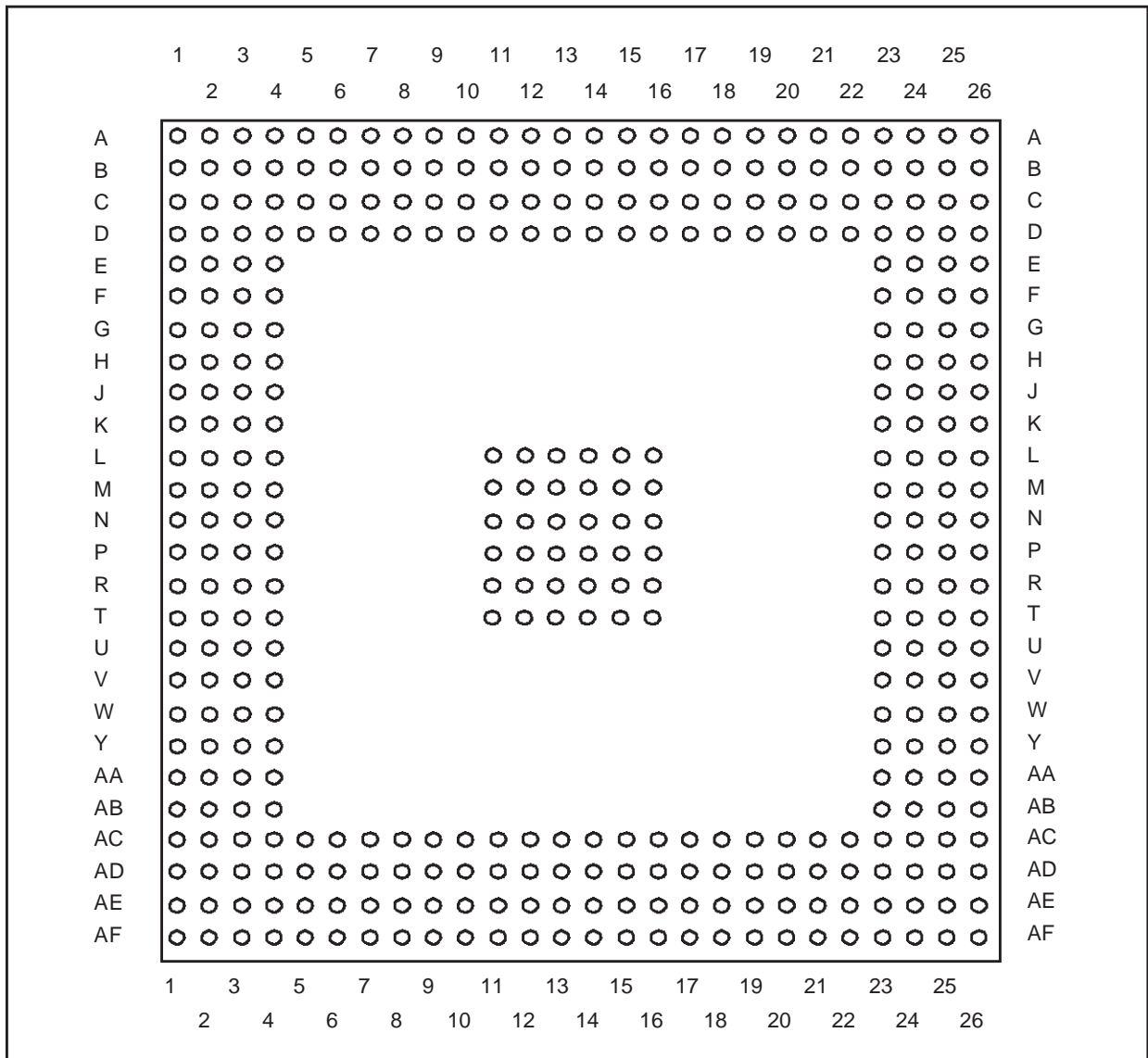
5. MECHANICAL DATA

5.1 388-PIN PACKAGE DIMENSION

The pin numbering for the STPC 388-pin Plastic BGA package is shown in Figure 5-1.

Dimensions are shown in Figure 5-2, Table 5-1 and Figure 5-3, Table 5-2.

Figure 5-1. 388-Pin PBGA Package - Top View



MECHANICAL DATA

Figure 5-2. 388-pin PBGA Package - PCB Dimensions

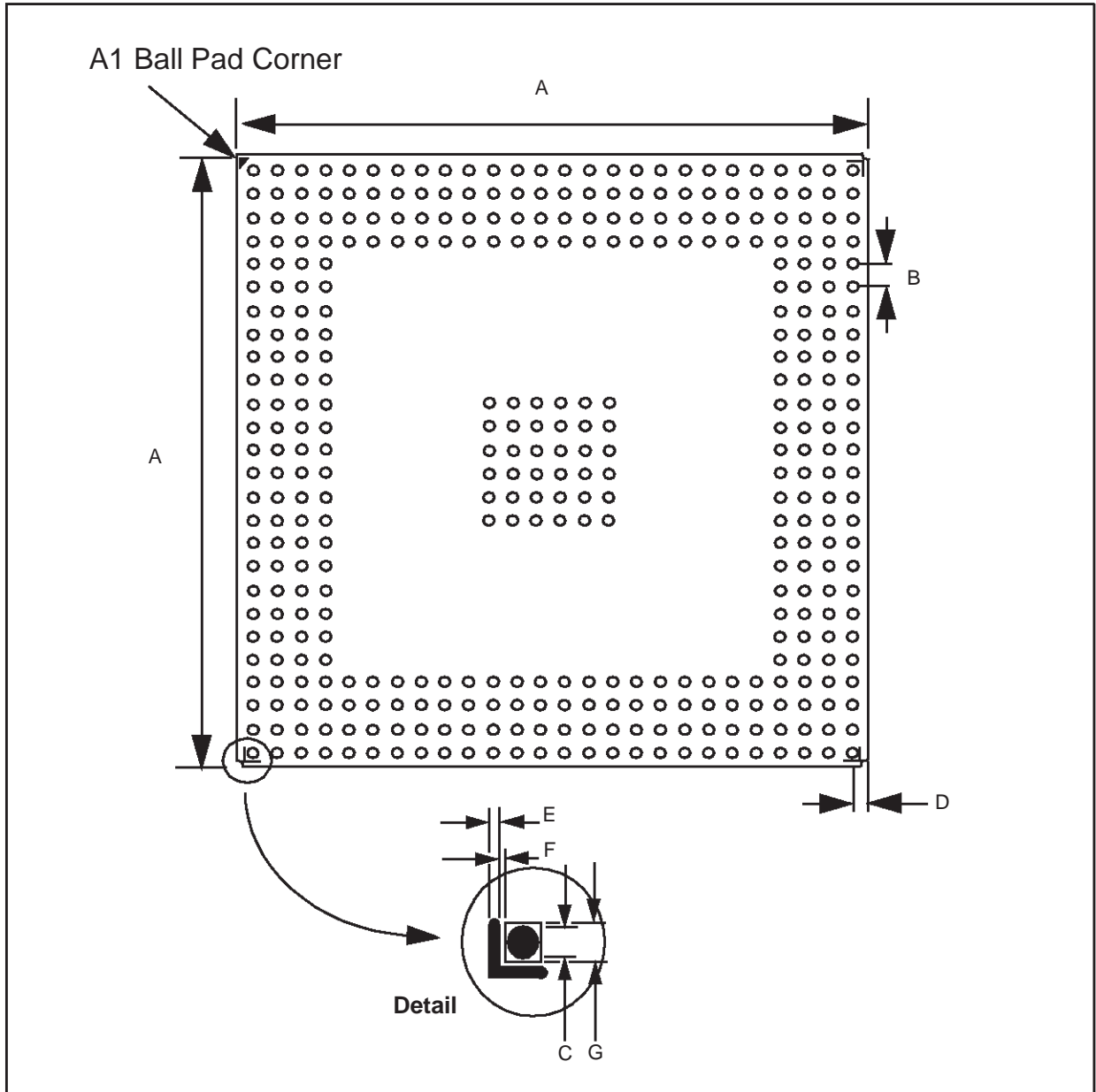


Table 5-1. 388-pin PBGA Package - PCB Dimensions

Symbols	mm			inches		
	Min	Typ	Max	Min	Typ	Max
A	34.95	35.00	35.05	1.375	1.378	1.380
B	1.22	1.27	1.32	0.048	0.050	0.052
C	0.58	0.63	0.68	0.023	0.025	0.027
D	1.57	1.62	1.67	0.062	0.064	0.066
E	0.15	0.20	0.25	0.006	0.008	0.011
F	0.05	0.10	0.15	0.002	0.004	0.006
G	0.75	0.80	0.85	0.030	0.032	0.034

Figure 5-3. 388-pin PBGA Package - Dimensions

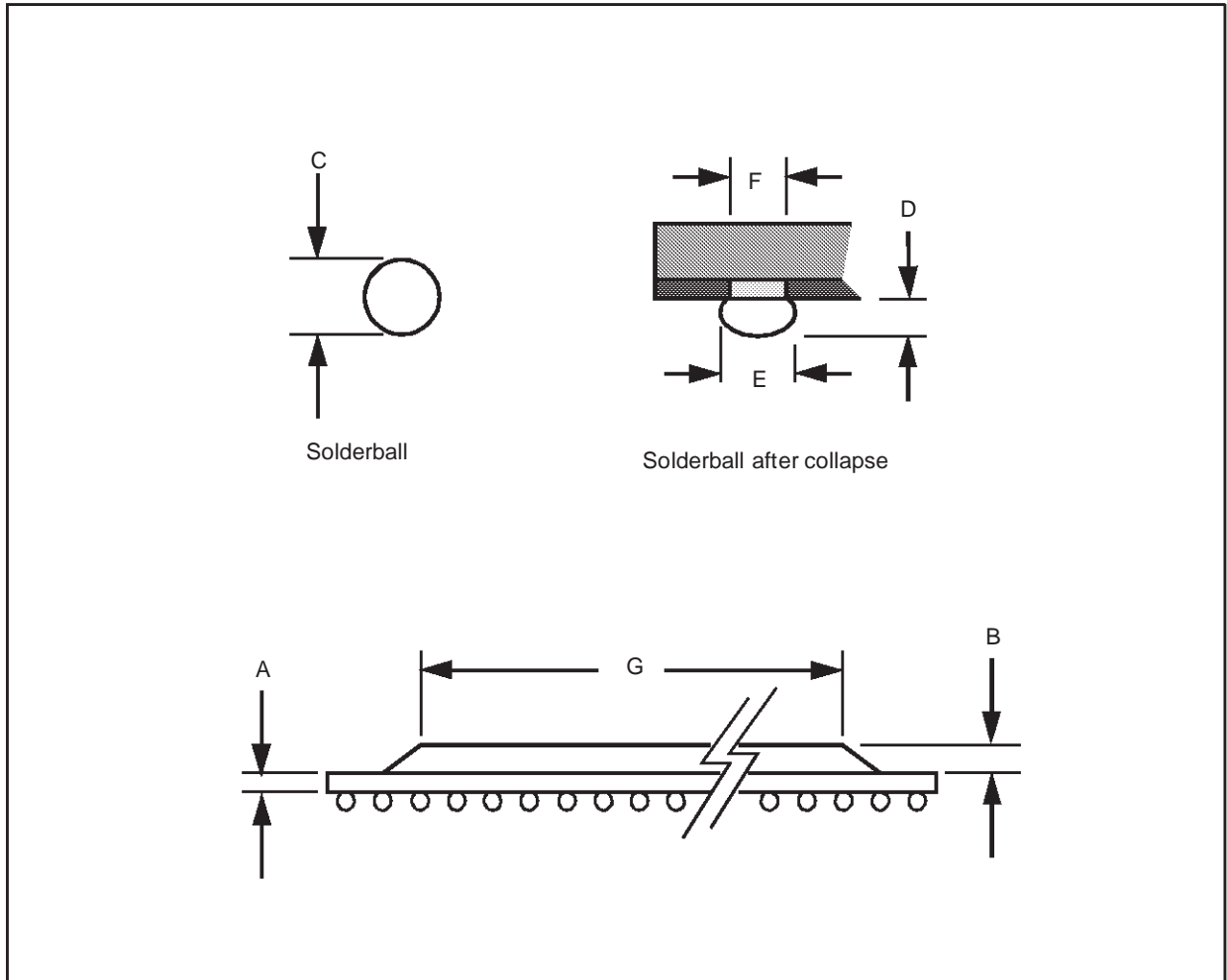


Table 5-2. 388-pin PBGA Package - Dimensions

Symbols	mm			inches		
	Min	Typ	Max	Min	Typ	Max
A	0.50	0.56	0.62	0.020	0.022	0.024
B	1.12	1.17	1.22	0.044	0.046	0.048
C	0.60	0.76	0.92	0.024	0.030	0.036
D	0.52	0.53	0.54	0.020	0.021	0.022
E	0.63	0.78	0.93	0.025	0.031	0.037
F	0.60	0.63	0.66	0.024	0.025	0.026
G		30.0			11.8	

MECHANICAL DATA

5.2 388-PIN PACKAGE THERMAL DATA

388-pin PBGA package has a Power Dissipation Capability of 4.5W which increases to 6W when used with a Heatsink.

Structure is shown in Figure 5-4.

Thermal dissipation options are illustrated in Figure 5-5 and Figure 5-6.

Figure 5-4. 388-Pin PBGA structure

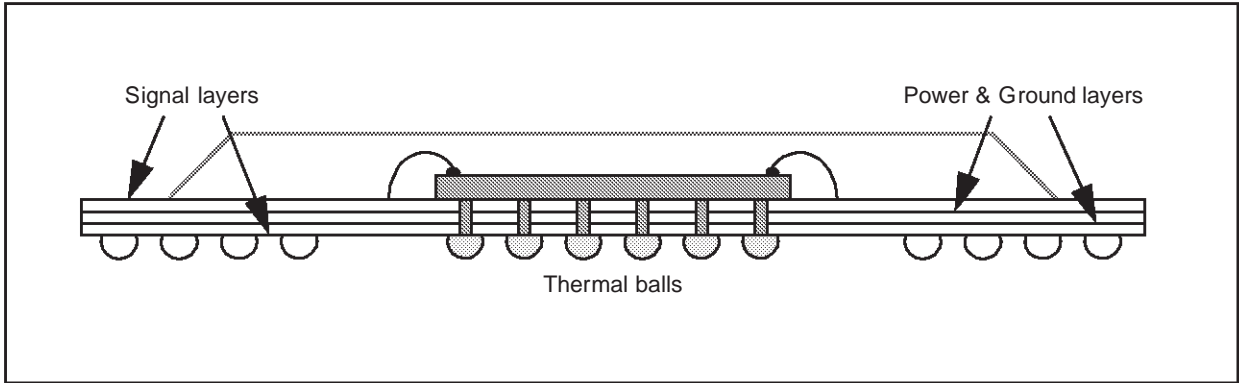


Figure 5-5. Thermal dissipation without heatsink

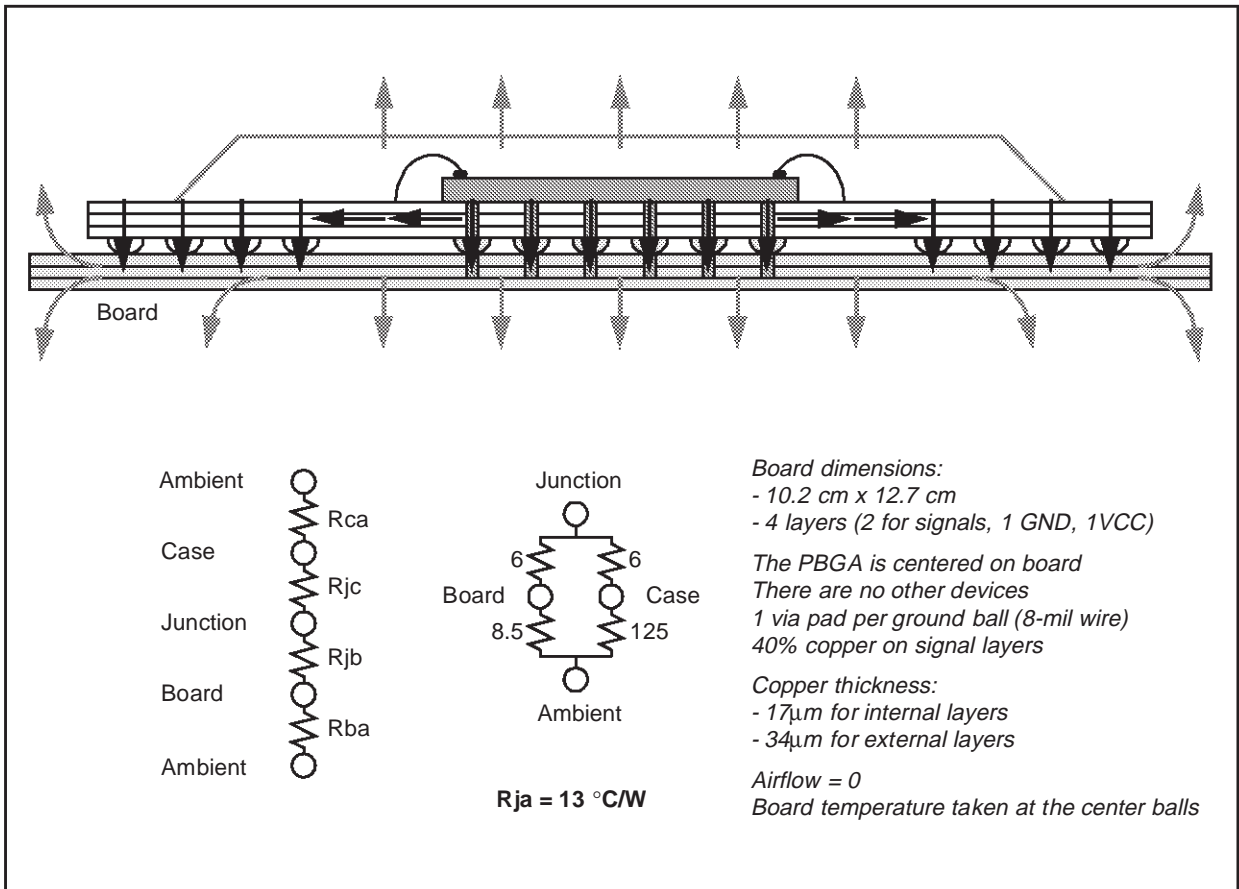
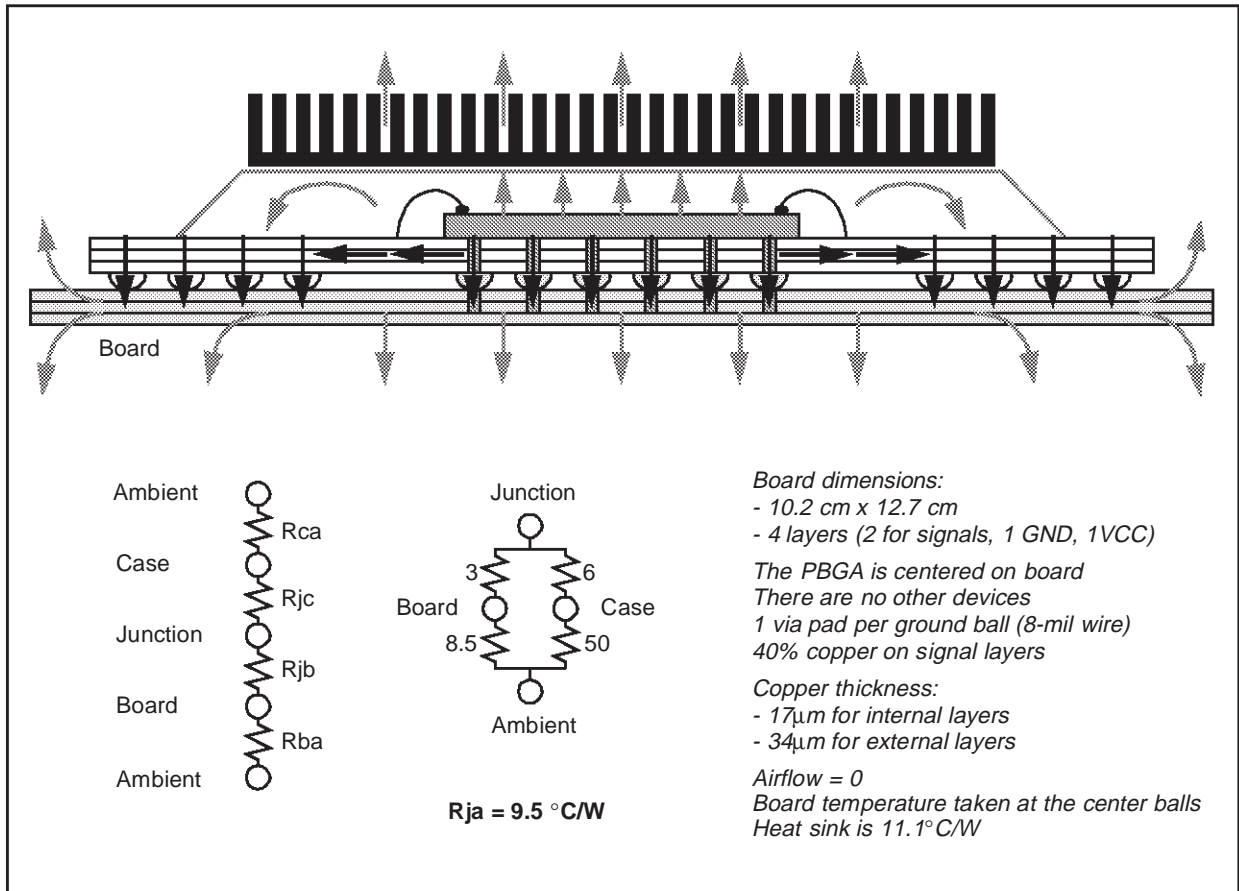


Figure 5-6. Thermal dissipation with heatsink



MECHANICAL DATA

6. BOARD LAYOUT

6.1 THERMAL DISSIPATION

Thermal dissipation of the STPC depends mainly on supply voltage. As a result, when the system does not need to work at 3.3V, it may be to reduce the voltage to 3.15V for example. This may save few 100's of mW.

The second area that can be considered is unused interfaces and functions. Depending on the application, some input signals can be grounded, and some blocks not powered or shutdown. Clock speed dynamic adjustment is also a solution that can be used along with the integrated power management unit.

The standard way to route thermal balls to internal ground layer implements only one via pad for each ball pad, connected using a 8-mil wire.

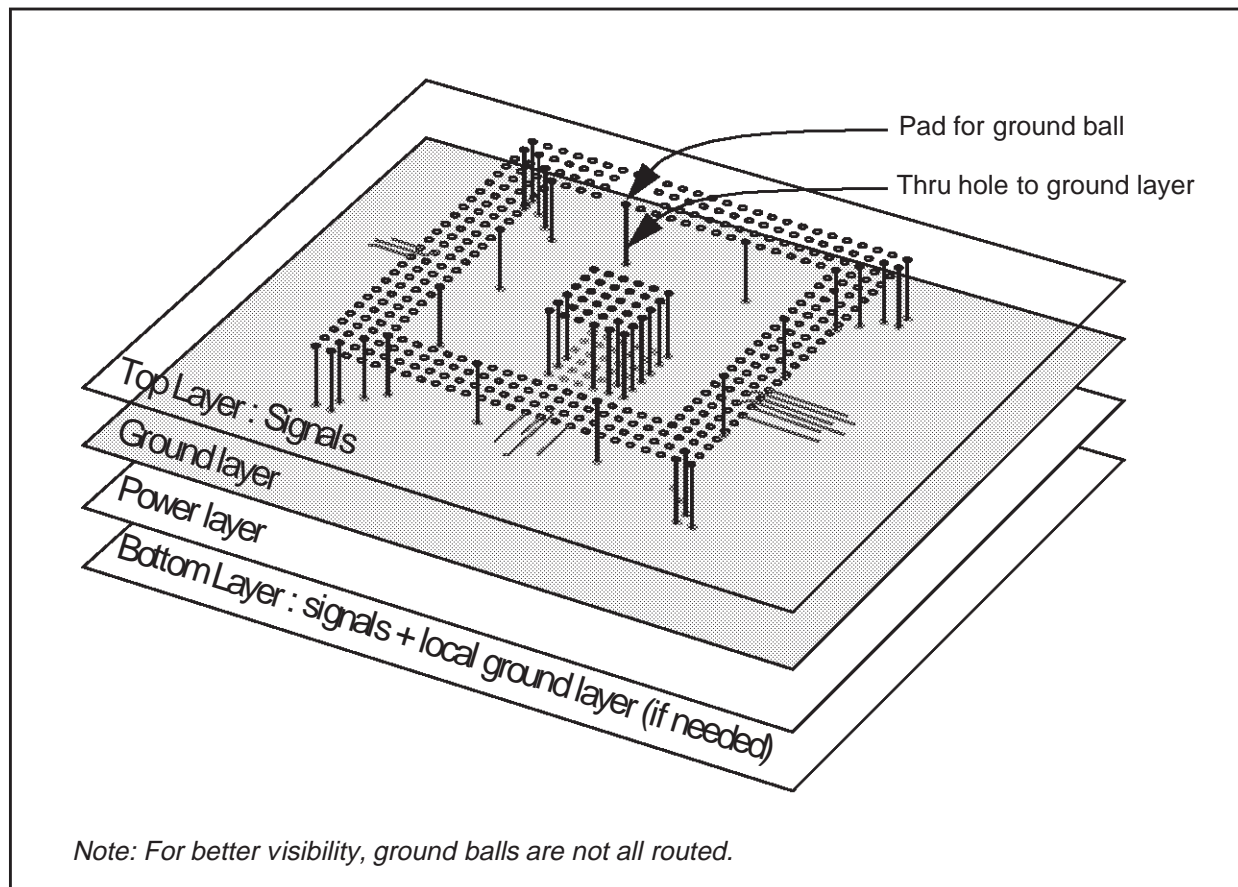
With such configuration the Plastic BGA 388 package dissipates 90% of the heat through the ground balls, and especially the central thermal balls which are directly connected to the die, the remaining 10% is dissipated through the case. Adding a heat sink reduces this value to 85%.

As a result, some basic rules have to be applied when routing the STPC in order to avoid thermal problems.

First of all, the whole ground layer acts as a heat sink and ground balls must be directly connected to it as illustrated in Figure 6-1.

If one ground layer is not enough, a second ground plane may be added on the solder side.

Figure 6-1. Ground routing



BOARD LAYOUT

When considering thermal dissipation, the most important - and not the more obvious - part of the layout is the connection between the ground balls and the ground layer.

A 1-wire connection is shown in Figure 6-2. The use of a 8-mil wire results in a thermal resistance of 105°C/W assuming copper is used (418 W/m.°K). This high value is due to the thickness (34 μm) of the copper on the external side of the PCB.

Considering only the central matrix of 36 thermal balls and one via for each ball, the global thermal resistance is 2.9°C/W. This can be easily improved by using four 10 mil wires to connect to the four vias around the ground pad link as in Figure 6-3. This gives a total of 49 vias and a global resistance for the 36 thermal balls of 0.6°C/W.

The use of a ground plane like in Figure 6-4 is even better.

To avoid solder wicking over to the via pads during soldering, it is important to have a solder mask of 4 mil around the pad (NSMD pad), this gives a diameter of 33 mil for a 25 mil ground pad.

To obtain the optimum ground layout, place the vias directly under the ball pads. In this case no local board distortion is tolerated.

The thickness of the copper on PCB layers is typically 34 μm for external layers and 17 μm for internal layers. This means thermal dissipation is not good and temperature of the board is concentrated around the devices and falls quickly with increased distance.

When it is possible to place a metal layer inside the PCB, this improves dramatically the heat spreading and hence thermal dissipation of the board.

Figure 6-2. Recommended 1-wire ground pad layout

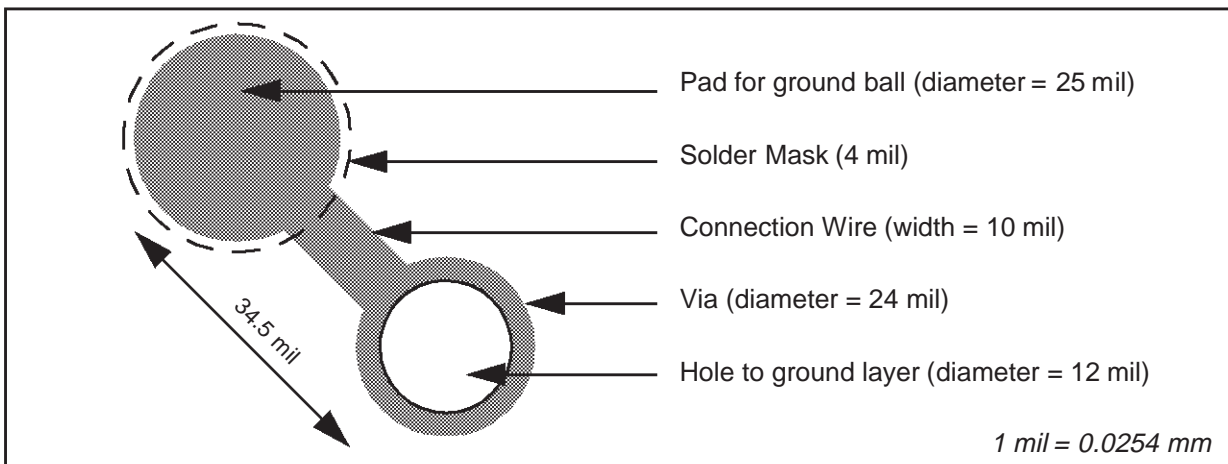


Figure 6-3. Recommended 4-wire ground pad layout

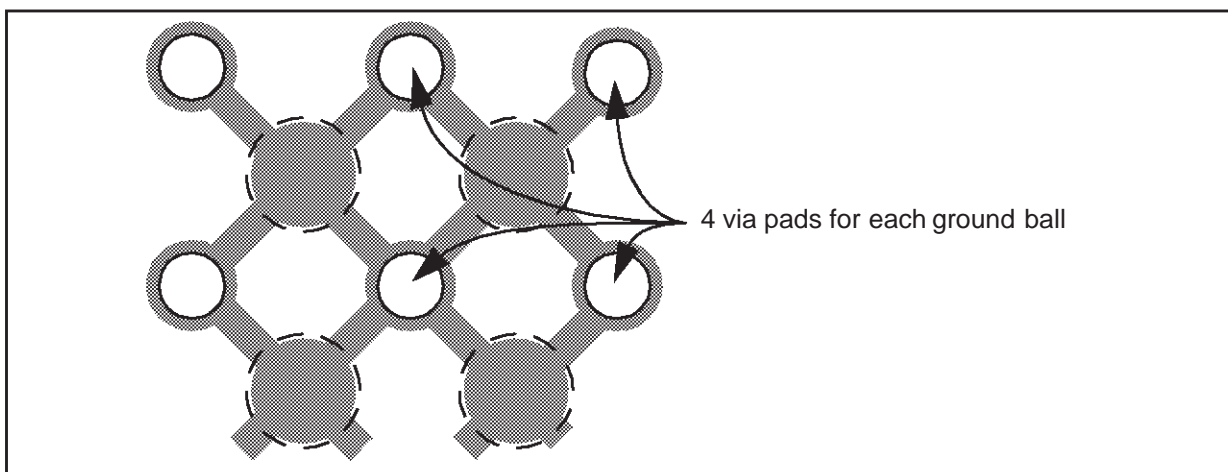
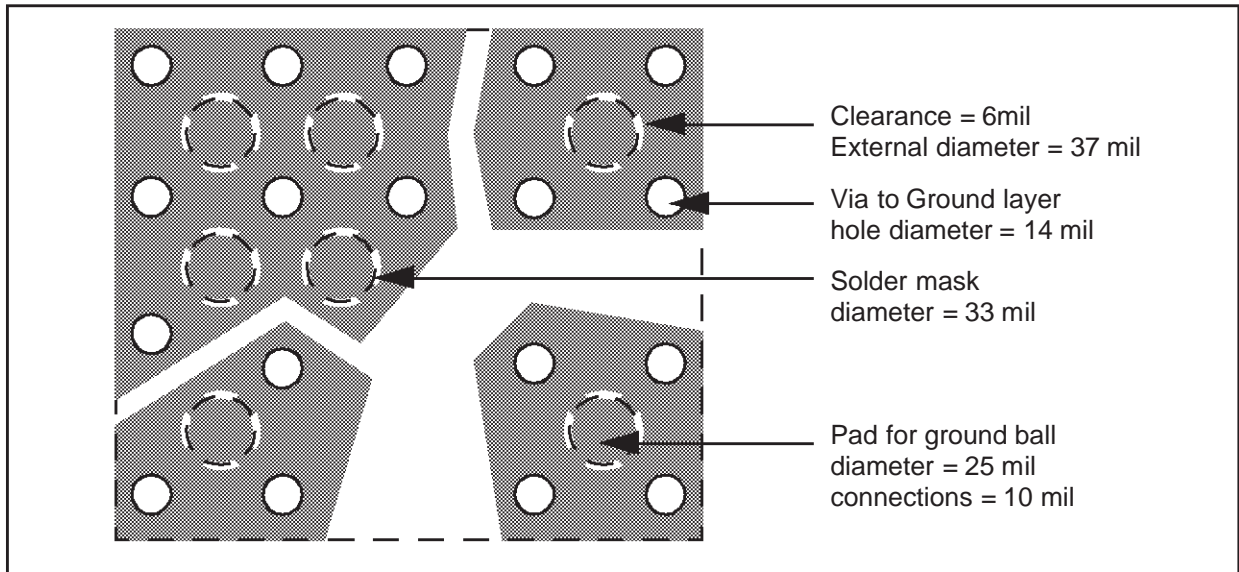


Figure 6-4. Optimum layout for central ground ball



The PBGA Package also dissipates heat through peripheral ground balls. When a heat sink is placed on the device, heat is more uniformly spread throughout the moulding increasing heat dissipation through the peripheral ground balls.

The more via pads are connected to each ground ball, the more heat is dissipated. The only limitation is the risk of losing routing channels.

Figure 6-5 shows a routing with a good trade off between thermal dissipation and number of routing channels.

Figure 6-5. Global ground layout for good thermal dissipation

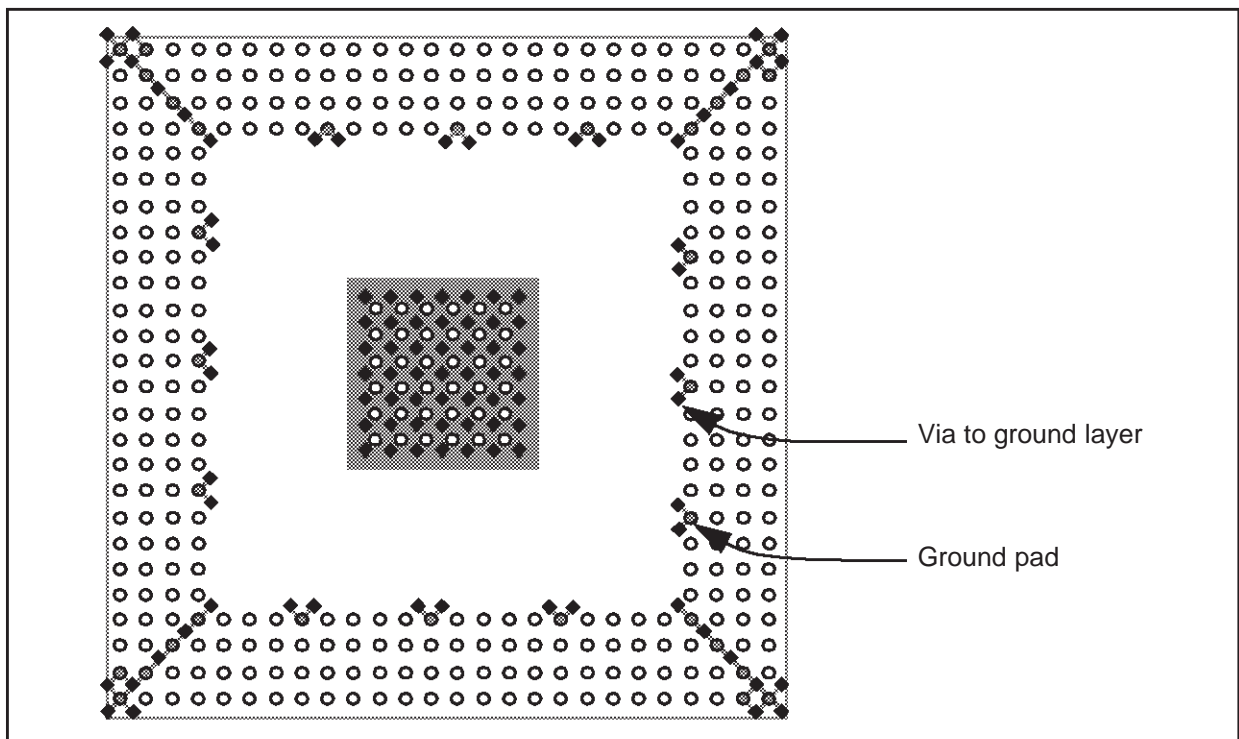
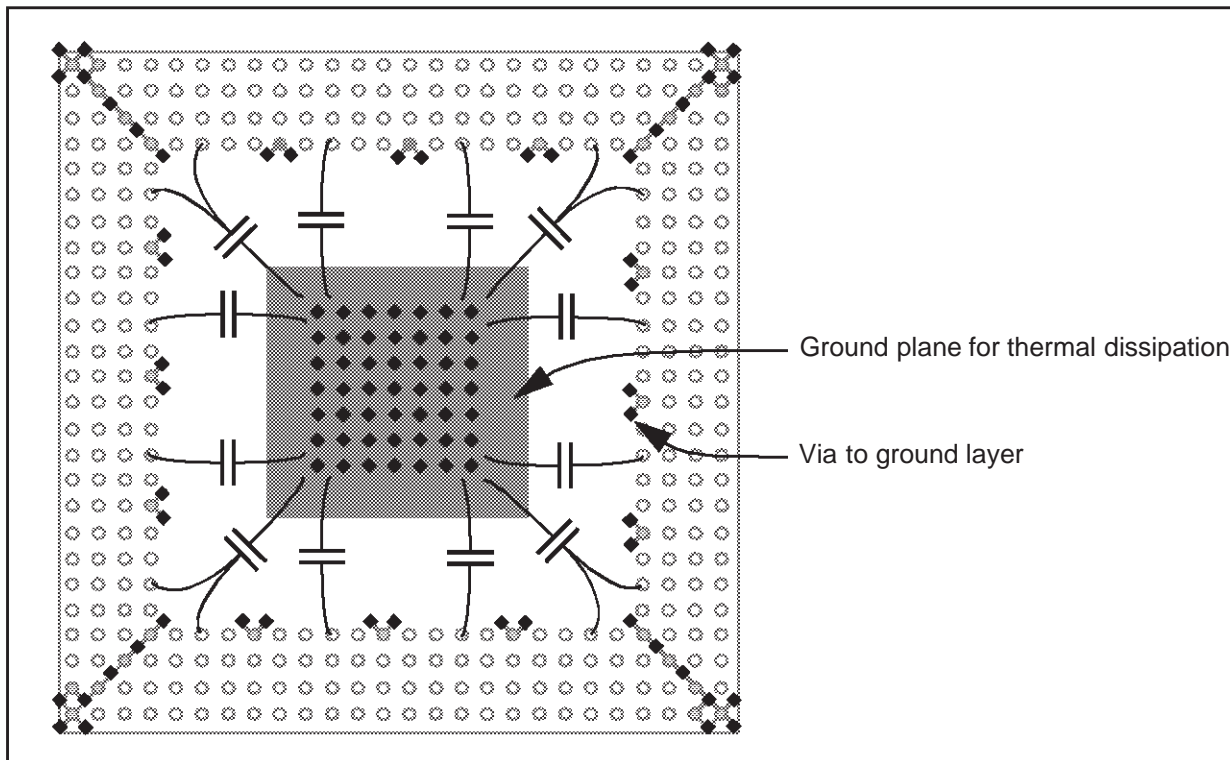


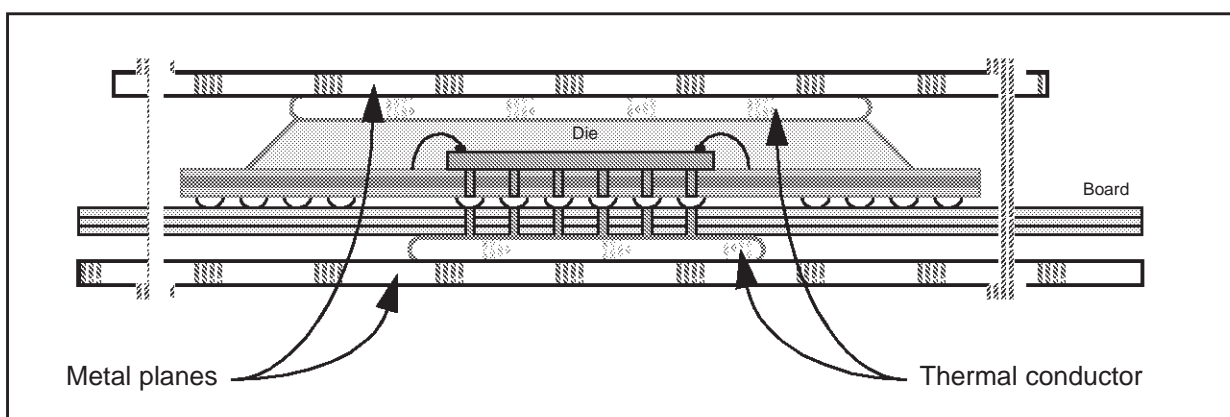
Figure 6-6. Bottom side layout and decoupling



A local ground plane on opposite side of the board as shown in Figure 6-6 improves thermal dissipation. It is used to connect decoupling capacitances but can also be used for connection to a heat sink or to the system's metal box for better dissipation.

This possibility of using the whole system's box for thermal dissipation is very useful in case of high temperature inside the system and low temperature outside. In that case, both sides of the PBGA should be thermally connected to the metal chassis in order to propagate the heat through the metal. Figure 6-7 illustrates such an implementation.

Figure 6-7. Use of metal plate for thermal dissipation



6.2 HIGH SPEED SIGNALS

Some Interfaces of the STPC run at high speed and have to be carefully routed or even shielded.

Here is the list of these interfaces, in decreasing speed order:

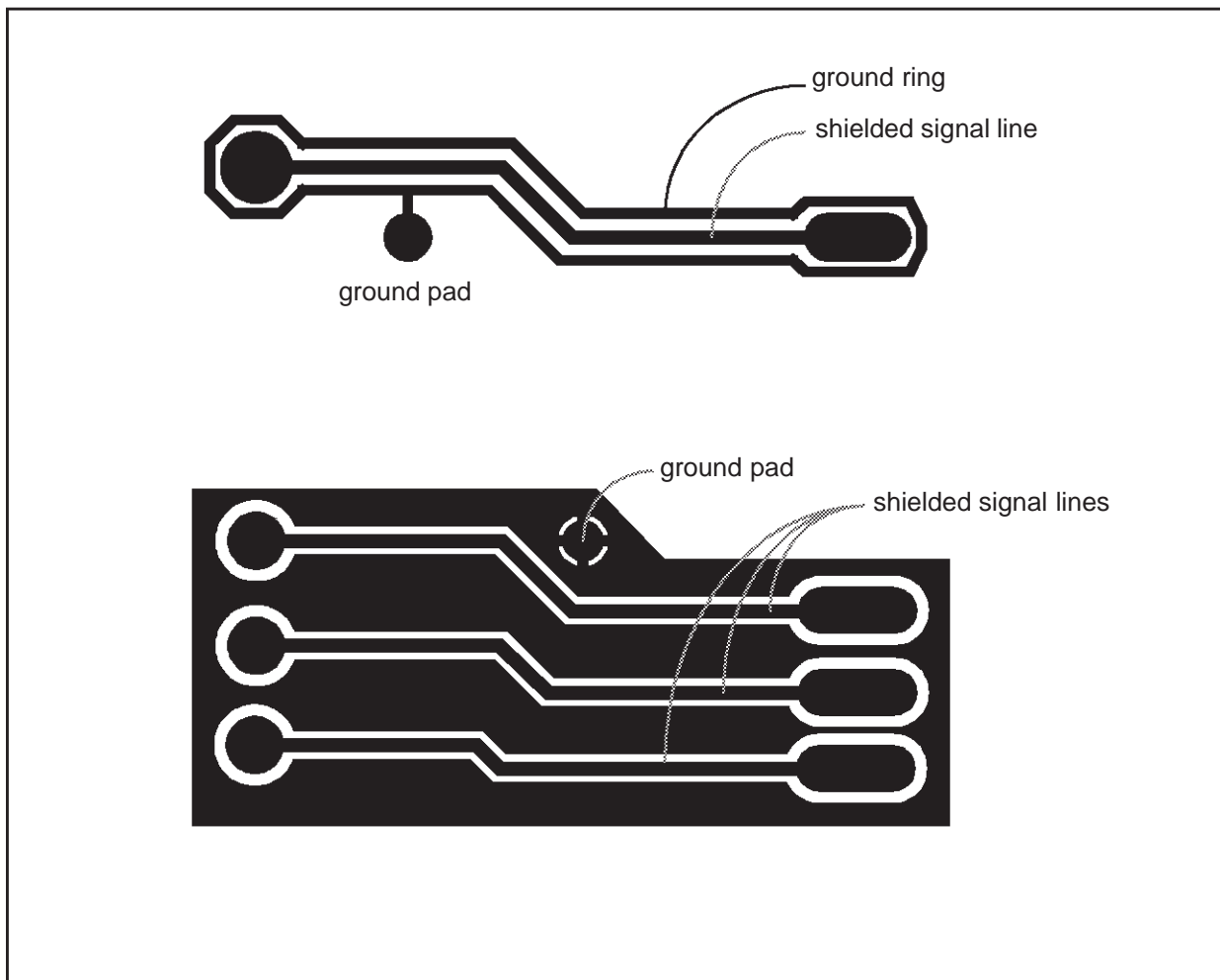
- Memory Interface.
- Graphics and video interfaces
- PCI bus
- 14MHz oscillator stage

All the clocks have to be routed first and shielded for speeds of 27MHz or more. The high speed signals have the same constraints as some of the memory interface control signals.

The next interfaces to be routed are Memory, Video/graphics, and PCI.

All the analog noise sensitive signals have to be routed in a separate area and hence can be routed independently.

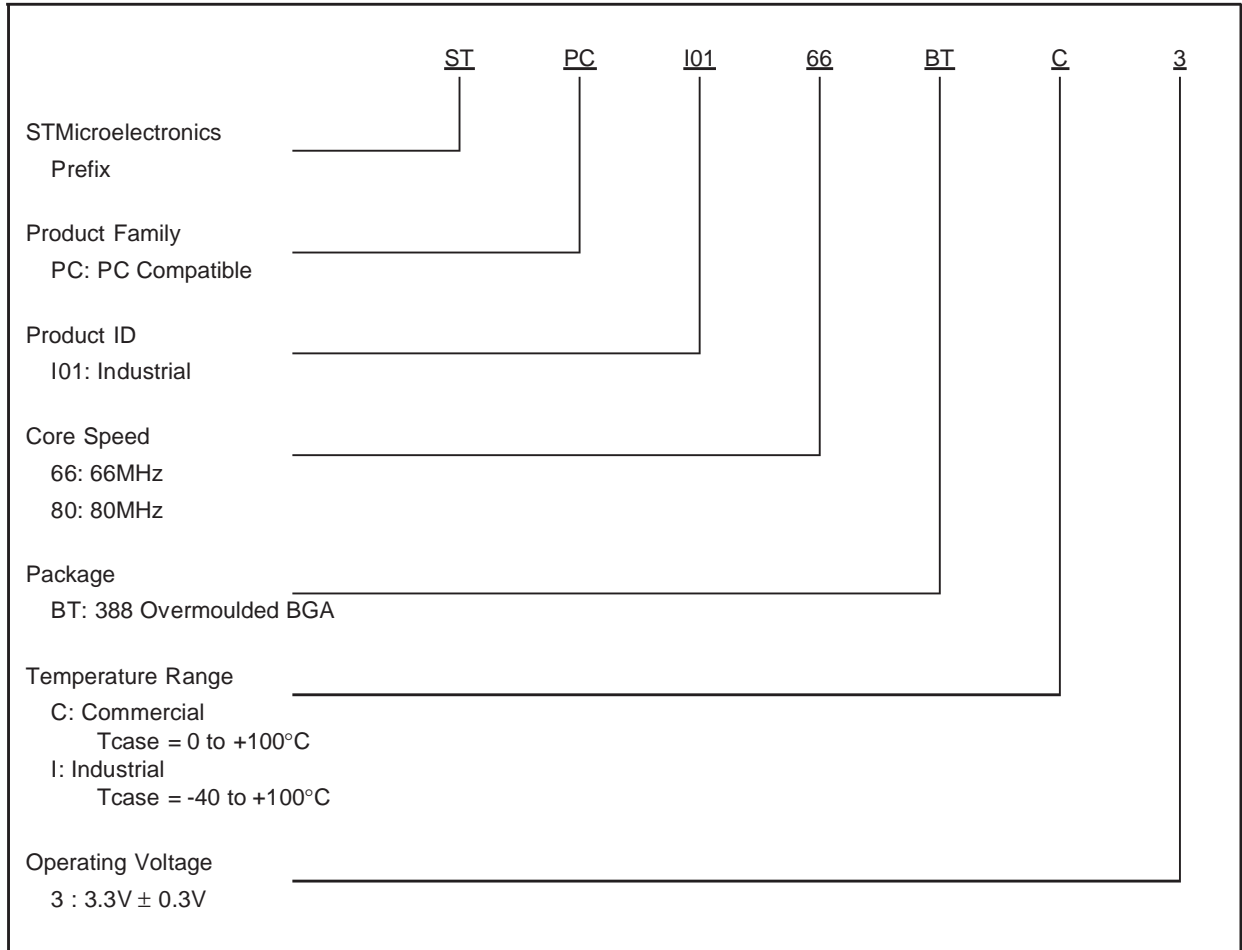
Figure 6-8. Shielding signals



BOARD LAYOUT

7 ORDERING DATA

7.1 ORDERING CODES



ORDERING DATA

7.2 AVAILABLE PART NUMBERS

Part Number	Core Frequency (MHz)	CPU Mode	Tcase Range (C)	Operating Voltage (V)
STPCI0166BTC3	66	DX	0°C to +100°C	3.3V ± 0.3V
STPCI0180BTC3	80	DX		
STPCI0166BT13	66	DX	-40°C to +100°C	
STPCI0180BT13	80	DX		

Information furnished is believed to be accurate and reliable. However, STMicroelectronics assumes no responsibility for the consequences of use of such information nor for any infringement of patents or other rights of third parties which may result from its use. No license is granted by implication or otherwise under any patent or patent rights of STMicroelectronics. Specifications mentioned in this publication are subject to change without notice. This publication supersedes and replaces all information previously supplied. STMicroelectronics products are not authorized for use as critical components in life support devices or systems without express written approval of STMicroelectronics.

© 1999 STMicroelectronics - All Rights Reserved

The ST logo is a registered trademark of STMicroelectronics.

All other names are the property of their respective owners.

STMicroelectronics GROUP OF COMPANIES

Australia - Brazil - China - France - Germany - Italy - Japan - Korea - Malaysia - Malta - Mexico - Morocco - The Netherlands - Singapore - Spain - Sweden - Switzerland - Taiwan - Thailand - United Kingdom - U.S.A.

